

DATASHEET

# XS4 One S Heavy Duty - EURO

XS4 One S is a compact yet powerful universal electronic locking solution. Designed specifically for security doors, perimeter entrances and outdoor environments, these models combine robust construction with advanced technology to withstand extreme conditions.

Suitable for burglary - resistant security doors specifically those classified as EN 1627 RC3. The Salto XS4 One S Heavy Duty model is built to fit most European profile doors and mortise lock standards.



**TECHNICAL DATA:**

Reader dimensions :	285 x 48,5 x 25 mm
Weight:	2.6 kg
Handle rotation:	Max. 33°
Door thicknesses:	32 mm - 120 mm
Distance from the handle to the cylinder	47 - 110mm
Square spindles:	7mm, 8mm, 9mm
Power source:	3 LR03 batteries (AAA size) (optional lithium FRO3)
Number of openings <sup>1</sup> :	Up to 129.000 operations depending on the technology and the platform.
Maximum events on lock audit:	1.861 (Salto Space) 1.462 (Salto KS and Salto Homelok)
Environmental conditions Outdoor:	-35 °C / +60 °C. without condensation.
Environmental conditions Indoor:	-5 °C / +50 °C without condensation (optional -35°C / +60°C)
IP class:	IP55 (external escutcheon)
Certifications:	CE, FCC, IC, UKCA, ACMA, BIS, EAC, ANRT, CRA, NOM, MIC, MPT, NCC, NTRA, TDRA, SRRC, KCC, IMDA, VTNA, SUBTEL. EN 1634-1 (EI60, EI90, EI120). AbZ <b>EN16867 47-B24D23</b>

<sup>1</sup>Maximum numbers depending on the used credential

**OPENING MODES:**

Standard:	•
Office mode:	•
Timed office:	•
Automatic opening:	•
Automatic opening + office	•
Toggle:	•
Timed Toggle:	•
Amok mode:	—
Exit leaves open mode:	•

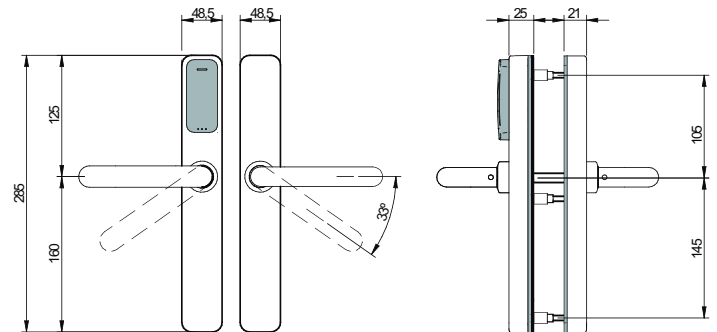
**CREDENTIAL TECHNOLOGIES:**

JustIN Mobile Credentials <sup>1</sup> :	•
NXP MIFARE <sup>2</sup> :	•

<sup>1</sup>Bluetooth Digital Key and Near Field Communication (NFC) capability.

<sup>2</sup> MIFARE<sup>®</sup> DESFire<sup>®</sup> EV1/EV2/ EV3, MIFARE<sup>®</sup> Plus, MIFARE<sup>®</sup> Ultralight C, MIFARE<sup>®</sup> Classic.

**TECHNICAL DRAWING:**



**SALTO PLATFORMS:**



SVN data-on-card	•	—	•
JustIN Mobile	•	•	•
BLUenet Wireless	• <sup>4</sup>	•	•

<sup>1</sup>Salto Space. On-premise access control platform

<sup>2</sup>Salto KS. Cloud-based access control platform

<sup>3</sup>Salto Homelok. Cloud-based access control platform

<sup>4</sup>RFnet Wireless versions are not compatible

**FINISH:**

IM Satin Stainless Steel - BHMA630 US32D	•
IP Polished Stainless Steel - BHMA629 US32	•
PM Satin Brass Color (PVD) - BHMA731 US4	•
PP Polished Brass Color (PVD) - BHMA724 US3	•
NE Black Chrome - BHMA687	•
DB Dark Bronze (PVD) - BHMA640 US10B	•
BC BioCote anti-microbial	•

**READER FINISH:**

Black:	•
White:	•

**HANDLES:**

Compatible handles*	B, G, H, I, J, K, L, N, O, P, S, T, U, W, Y, Z, 2, 3, 4, 5, 7
High Transit:	•

\* Not all the handles are available in all finishes.

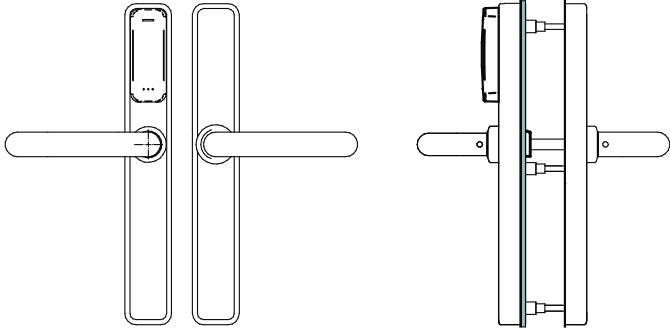
**LOCKS:**

Euro-DIN:	•
-----------	---

**MODELS:**

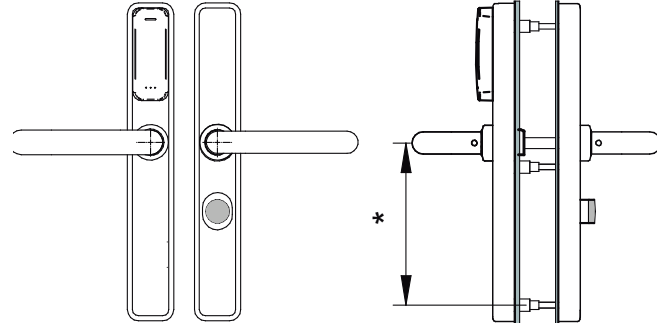
**MODEL 50:**

- 2 handles any type.



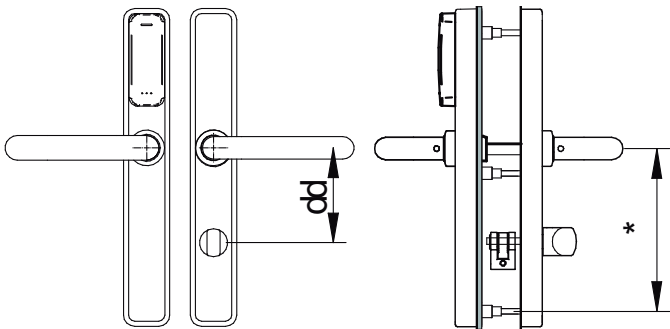
**MODEL 56:**

- 2 handles any type.
- Electronic "do not disturb" system (Not available in self-programmable).



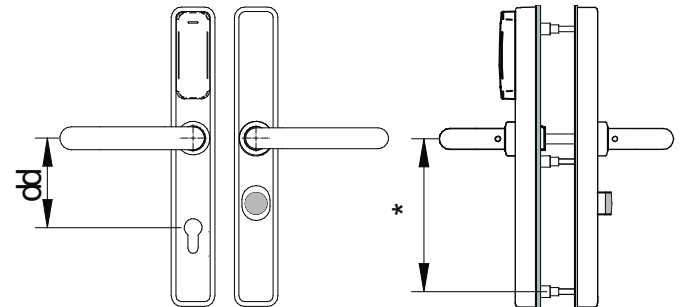
**MODEL 51:**

- 2 handles any type.
- Inside thumbturn.



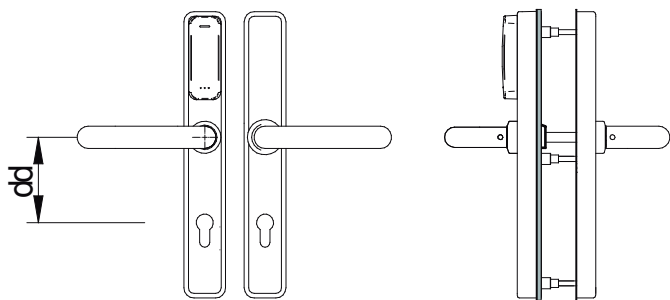
**MODEL 57:**

- 2 handles any type.
- Outside cylinder cut out.
- Electronic "do not disturb" system (Not available in self-programmable).



**MODEL 52/53/54:**

- 2 handles any type.
- Inside (models 52 / 53) / (models 54) Outside cylinder cut out.

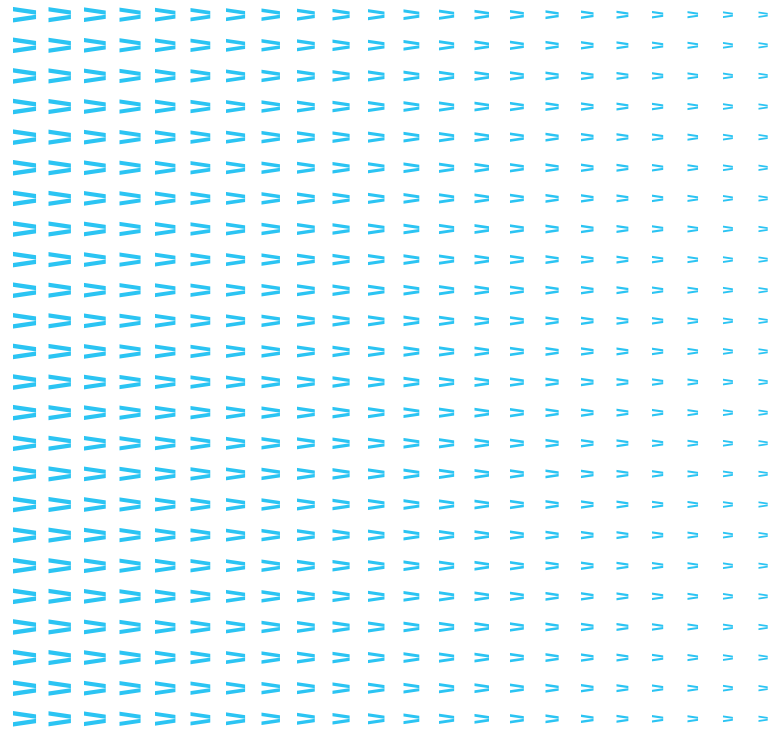


## Salto Systems.

Get in touch with our team.

Give us a brief summary of your needs, your next project and we'll get back to you.

Spain, UK, France, Germany, Switzerland, The Netherlands, Belgium, Poland, Slovakia, Slovenia, Czech Republic, Denmark, Norway, Sweden, Finland, Italy, Portugal, US (NYC - Atlanta - LV), Canada, Mexico, Costa Rica, Colombia, Puerto Rico, Chile, UAE, India, South Africa, Singapore, China, Hong Kong, Korea, Vietnam, Australia, New Zealand.



**TECHNICAL SPECIFICATIONS -  
DATASHEET-SALTO-XS4-ONE-S-EURO-EX8XXH-ENG-04-26**

Copyright © 2026 Salto Systems

Salto Systems reserves the right to modify technical specifications, designs and performance without notice.