

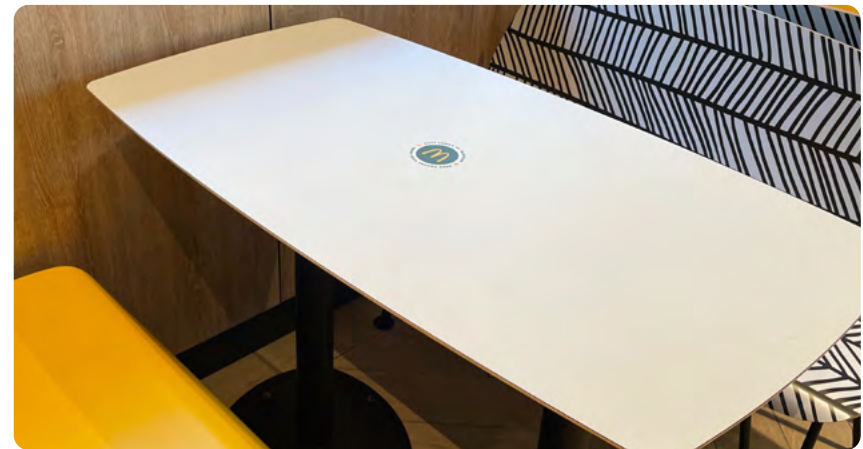


IPANIPAN

EASY CLIP



MAKE EVERY SURFACE A POWER SOURCE



01	PRESENTATION	4
	<ul style="list-style-type: none">• Antennas• Charger• Networking• Integrations• USB socket• Add-ons• Power supplies	
02	TECHNICAL DESCRIPTIONS	37
	<ul style="list-style-type: none">• Antenna integration plans• Mounting plans for connection strips and charger• Installation video tutorials	
03	CATALOGUE	44
	<ul style="list-style-type: none">• Packages• Antennas• Main modules (charger/ connection strips)• Add-ons (USB socket / Basic Cross / Jumper)• Power supplies (ACDCs / battery)	





01 | EASY **CLIP**
PRESENTATION

WIRELESS CHARGING

IN 2 PARTS

The Easy Clip wireless charger has been designed in 2 parts (antenna + charger) to offer different types of integration on top and underneath the top.

1

THE ANTENNA ▲



2

THE CHARGER ▼





EASY CLIP

ANTENNAS

THE ANTENNAS

3 TYPES OF INTEGRATION

EMBEDDED



FLAT



ON TOP





Marking on
the surface

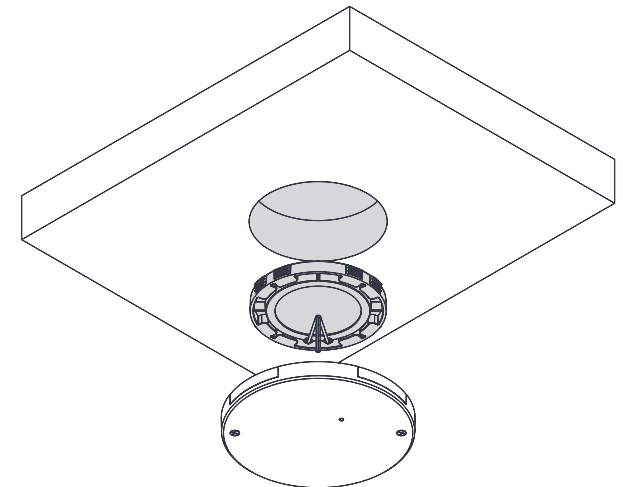


Top thickness
from 12 to 80 mm

EMBEDDED

TECHNOLOGY INTO THE CORE OF THE MATERIAL

Completely integrated into the material and invisible on the surface, the EMBEDDED antennas blend in with the décor with a simple marking on the table top. In this way, the furniture retains its integrity for a perfectly smooth feel and refined design.





Flat
designed

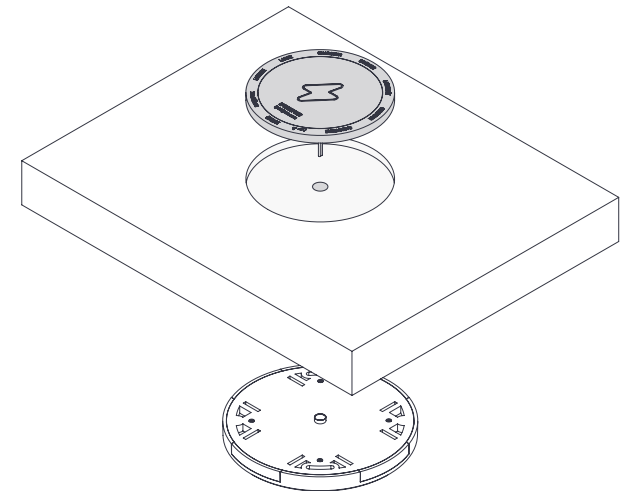


Top thickness
from 8 to 60 mm

FLAT

PERFECTLY SMOOTH SURFACE FINISH

A perfect combination of design and sobriety, FLAT antennas are integrated into the surface of the table tops to blend in perfectly with the furniture. These charging stations make it possible to create a completely flat appearance with a previously unrivalled level of finish.

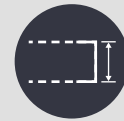




Installation
in **5 mins**



1 single hole
of **3mm min.**

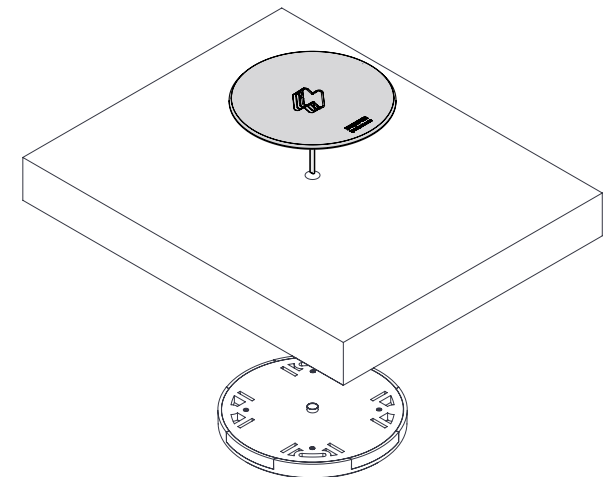


Top thickness
from **8 to 55 mm**

ON TOP

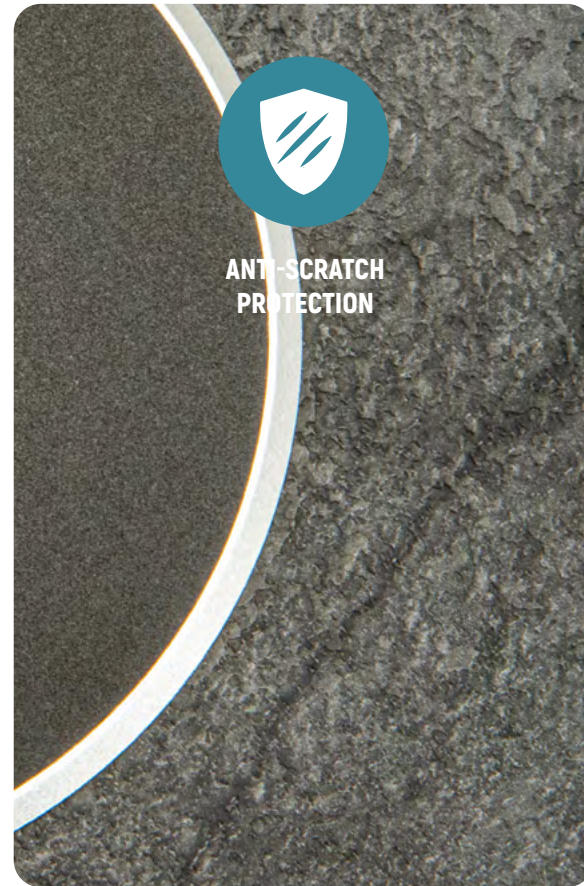
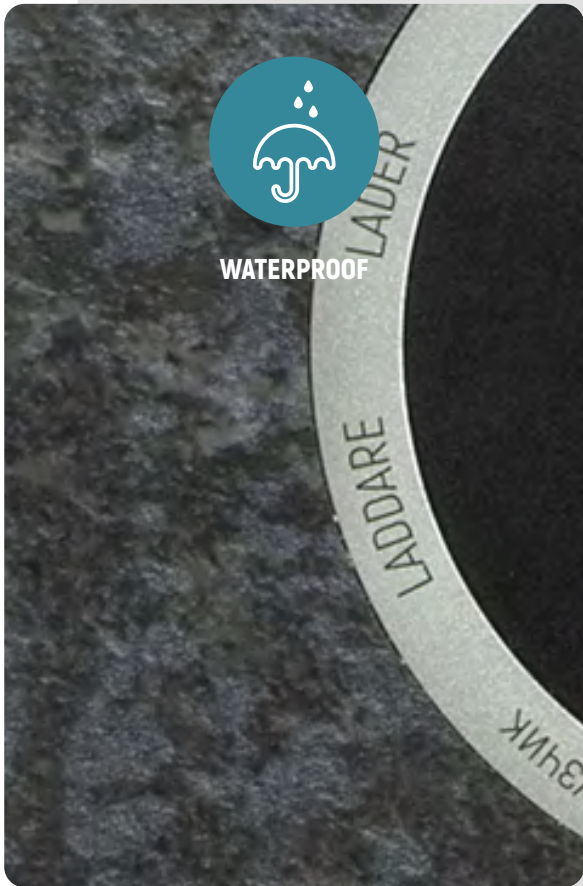
THE UNIVERSAL EASY TO INSTALL SOLUTION

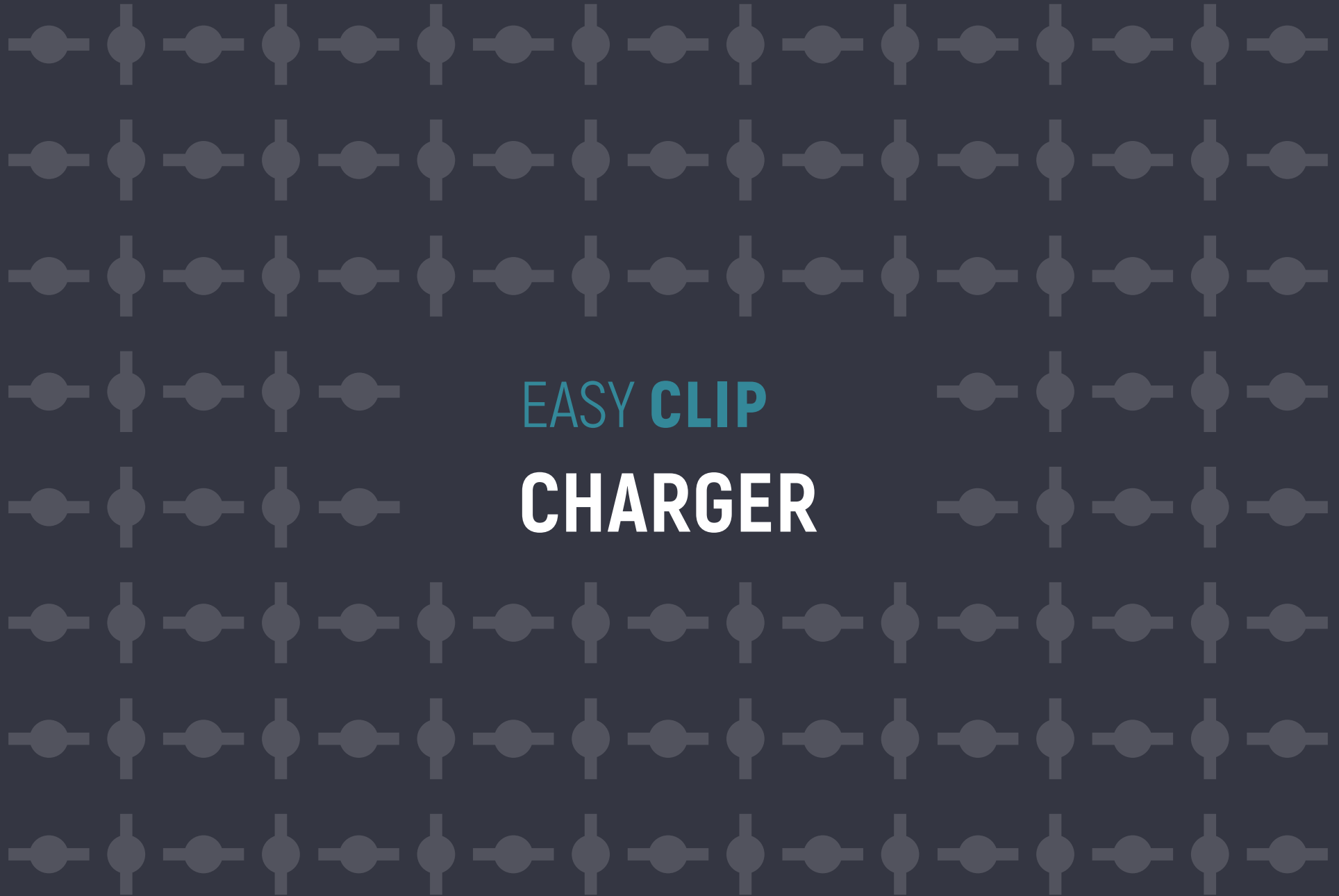
Combining slimness and sturdiness, ON TOP antennas can be installed simply and quickly by drilling a hole of at least 3 mm in the surface of the table tops. Their strong aluminium design makes it possible to quickly identify the charge zones.



THE ANTENNAS

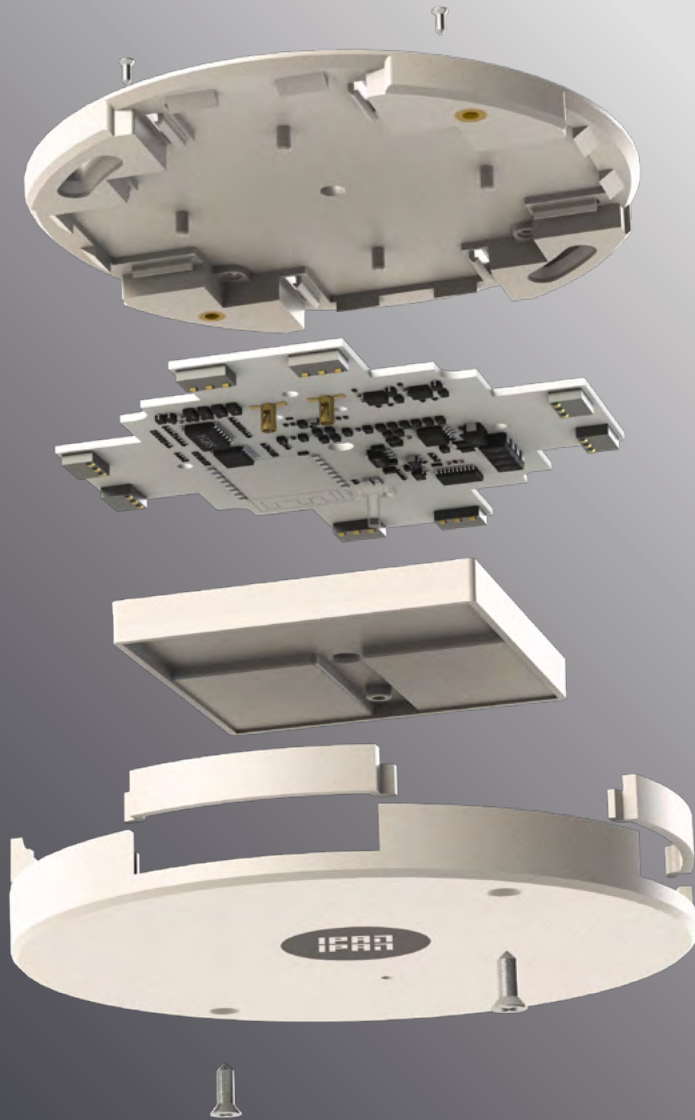
KEY FEATURES





EASY CLIP

CHARGER



Qi standard
certified



Fast charge
EPP - 15W

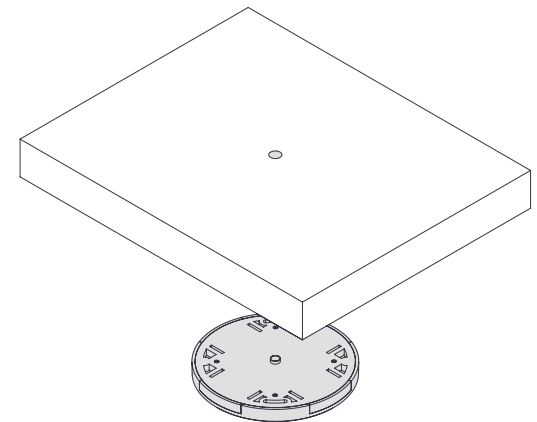


Thickness
from 10 mm

THE CHARGER

CONCENTRATED TECHNOLOGY

The charger is the main element of the EASY CLIP range. Discreet thanks to its minimal thickness, it is Qi certified and benefits from the EPP fast charge - 15 Watts (Extended Power Profile). The different antenna models are connected quickly. Its 4 inputs/outputs make it possible to connect the stations to each other by adapting to the constraints of the layouts.



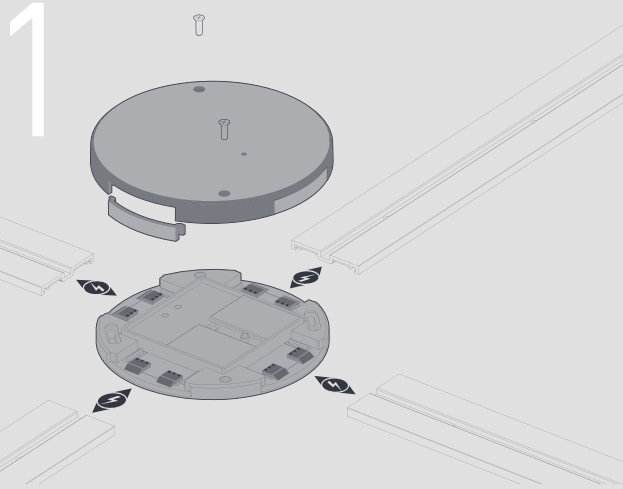


EASY CLIP

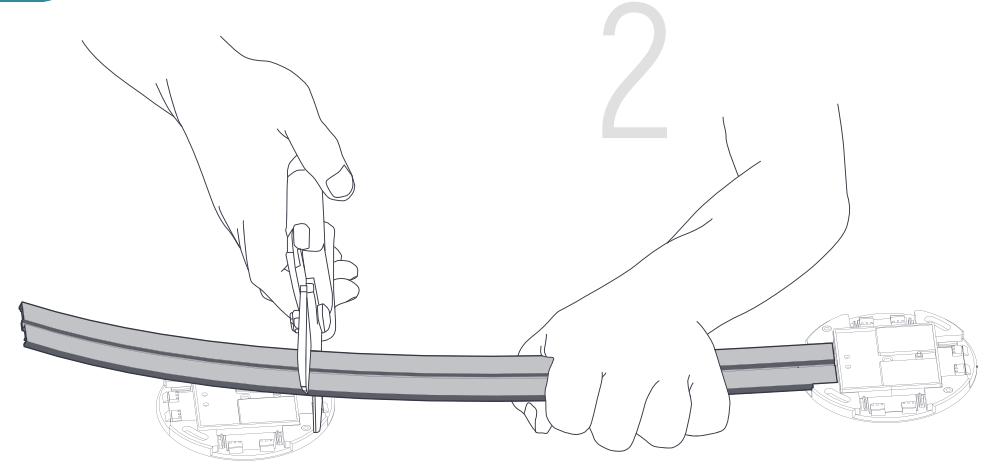
NETWORKING

NETWORKING

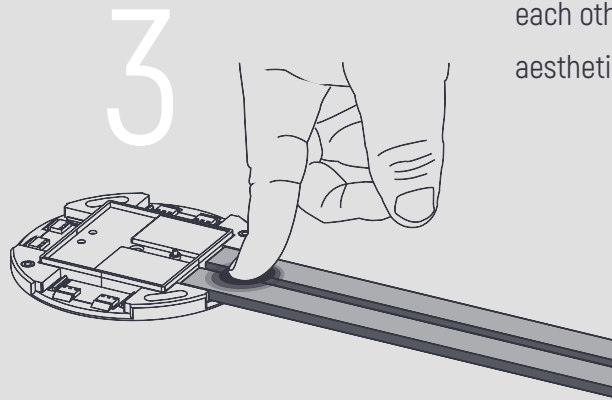
FEATURES



4 INPUTS/OUTPUTS

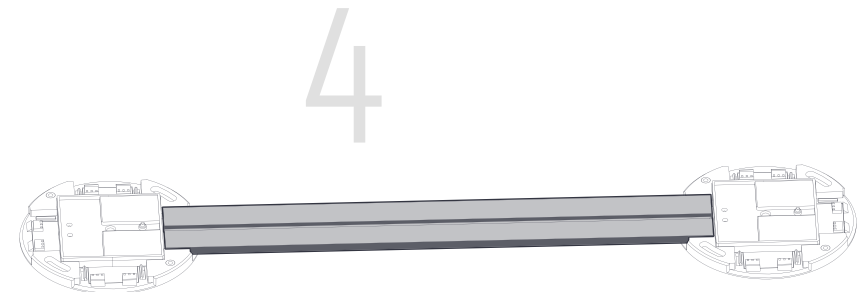


EASY CUTTING



CLIP-ON SYSTEM

The 4 inputs or outputs of the charger allow you to add slats and connect the wireless charging stations to each other. The slats are cut to the desired size and clip to the charger. This system provides discretion and aesthetics compared to the traditional connection system.

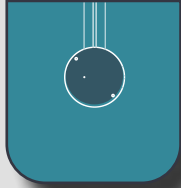


CONNECTING STATIONS

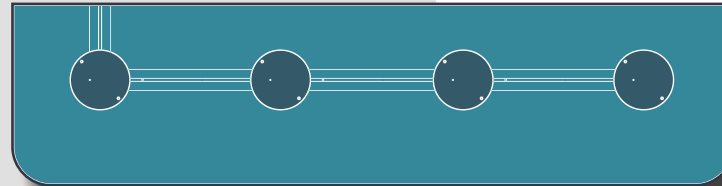


SETTINGS

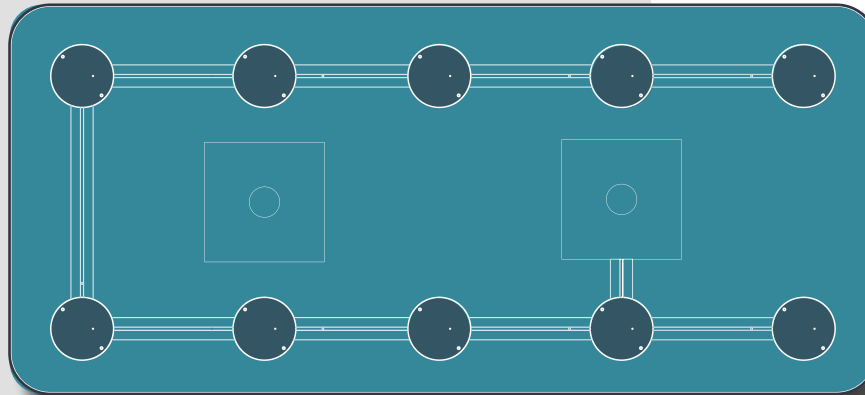
EXAMPLES OF STATION NETWORKS



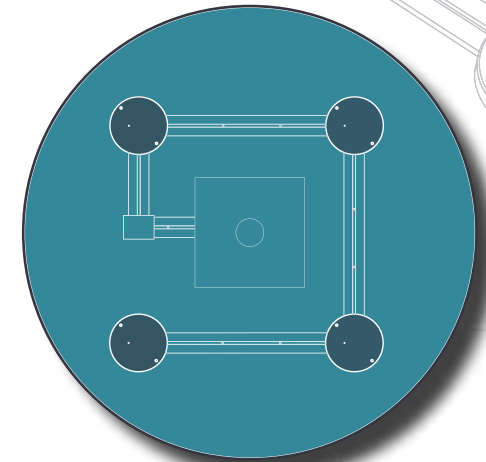
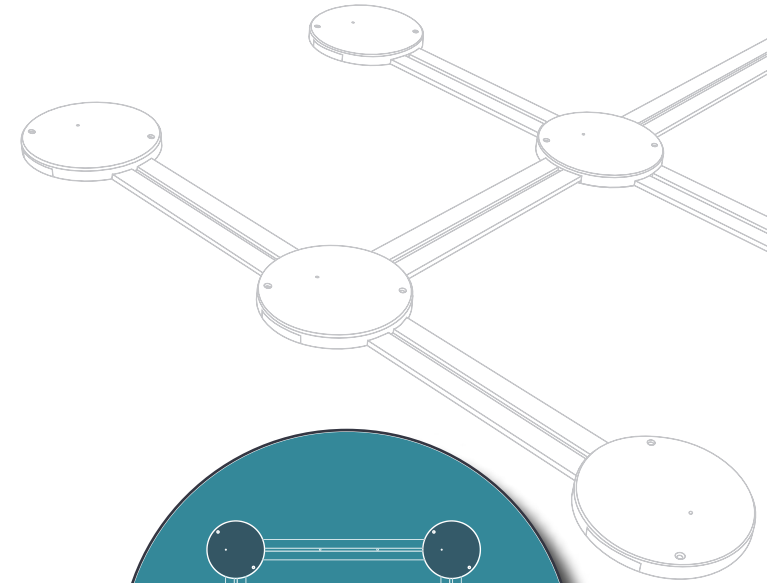
NIGHTSTAND



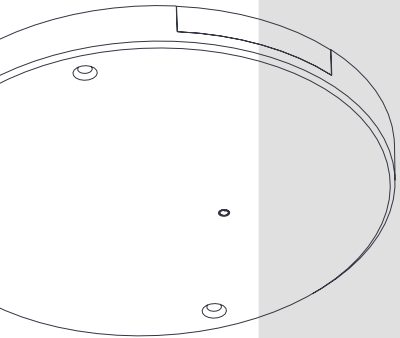
COUNTER

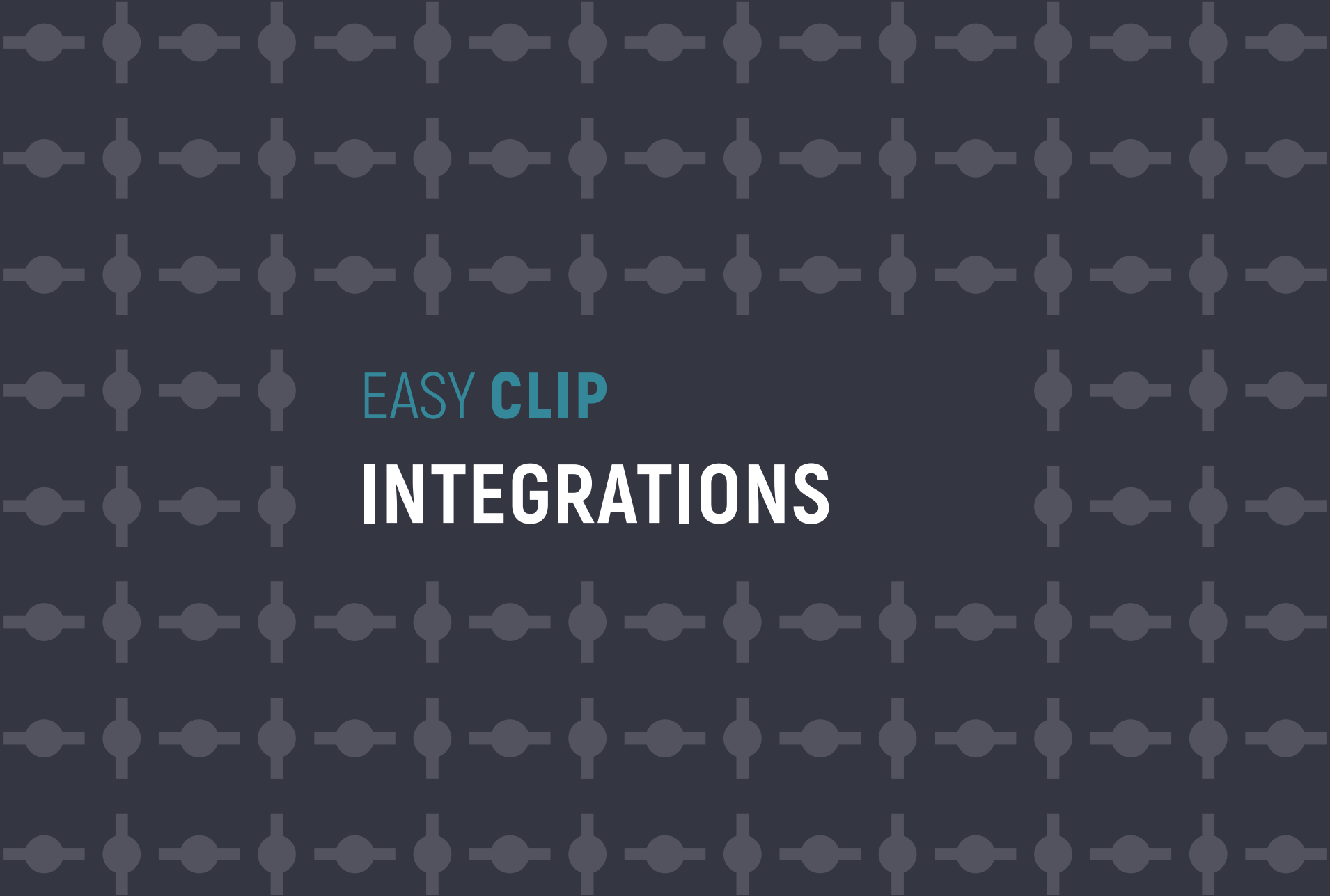


STAND UP



ROUND TABLE





EASY CLIP

INTEGRATIONS



EMBEDDED

INTEGRATION



EMBEDDED

INTEGRATION



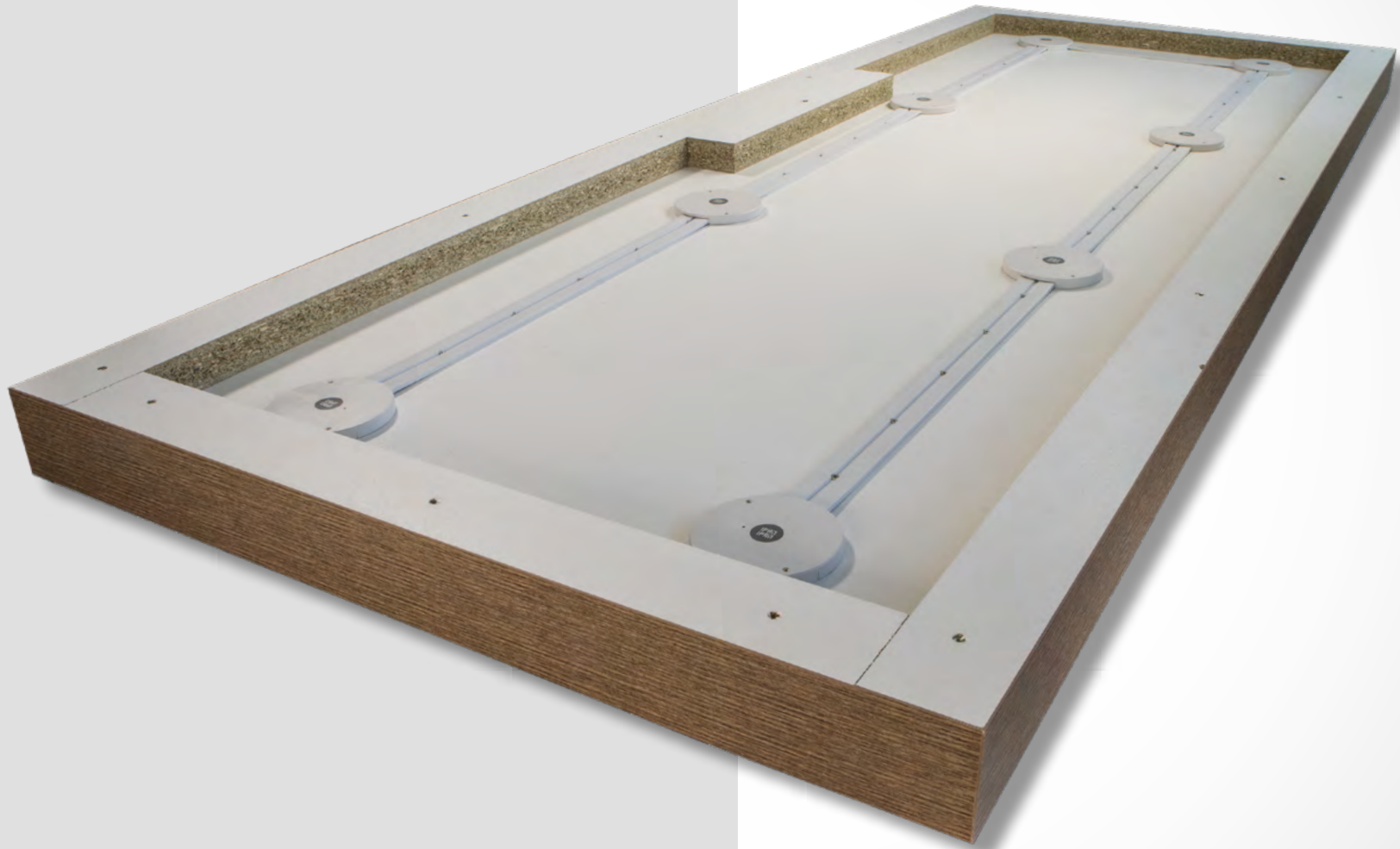
EMBEDDED

TOP VIEW



EMBEDDED

BOTTOM VIEW





FLAT

INTEGRATION



FLAT

INTEGRATION



FLAT

TOP VIEW



FLAT

BOTTOM VIEW



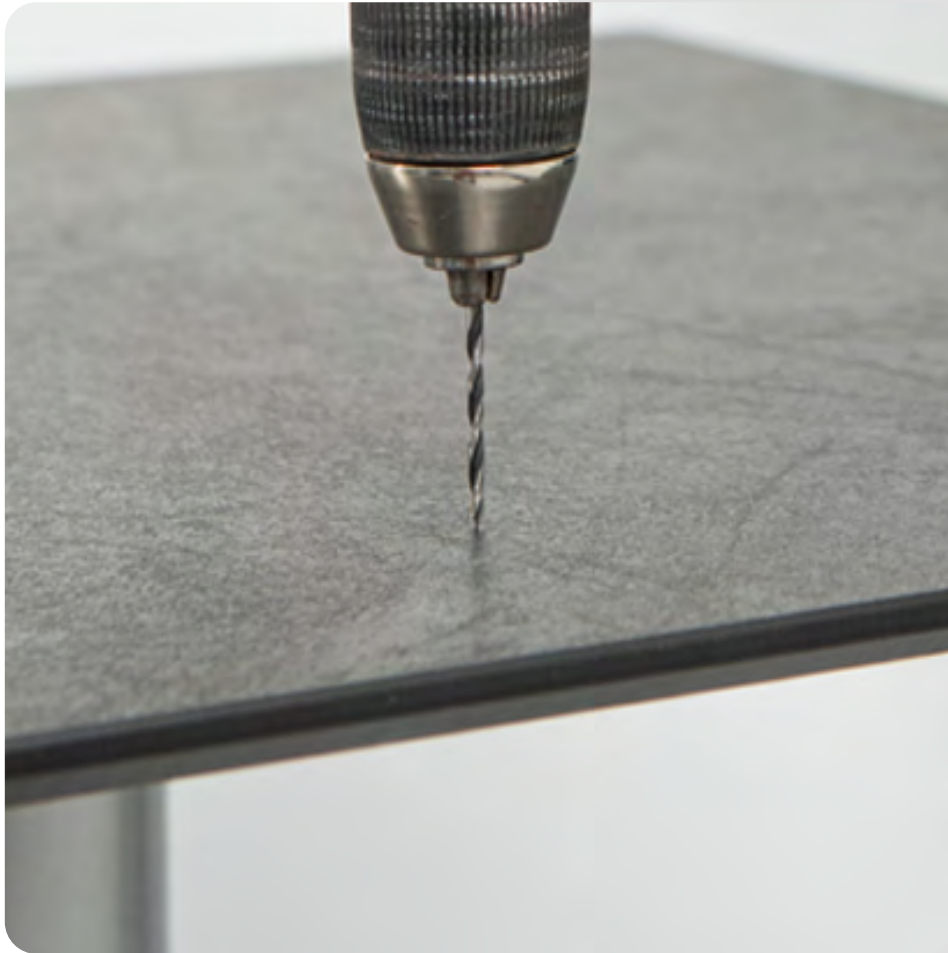
ON TOP

INTEGRATION



ON TOP

INTEGRATION



ON TOP

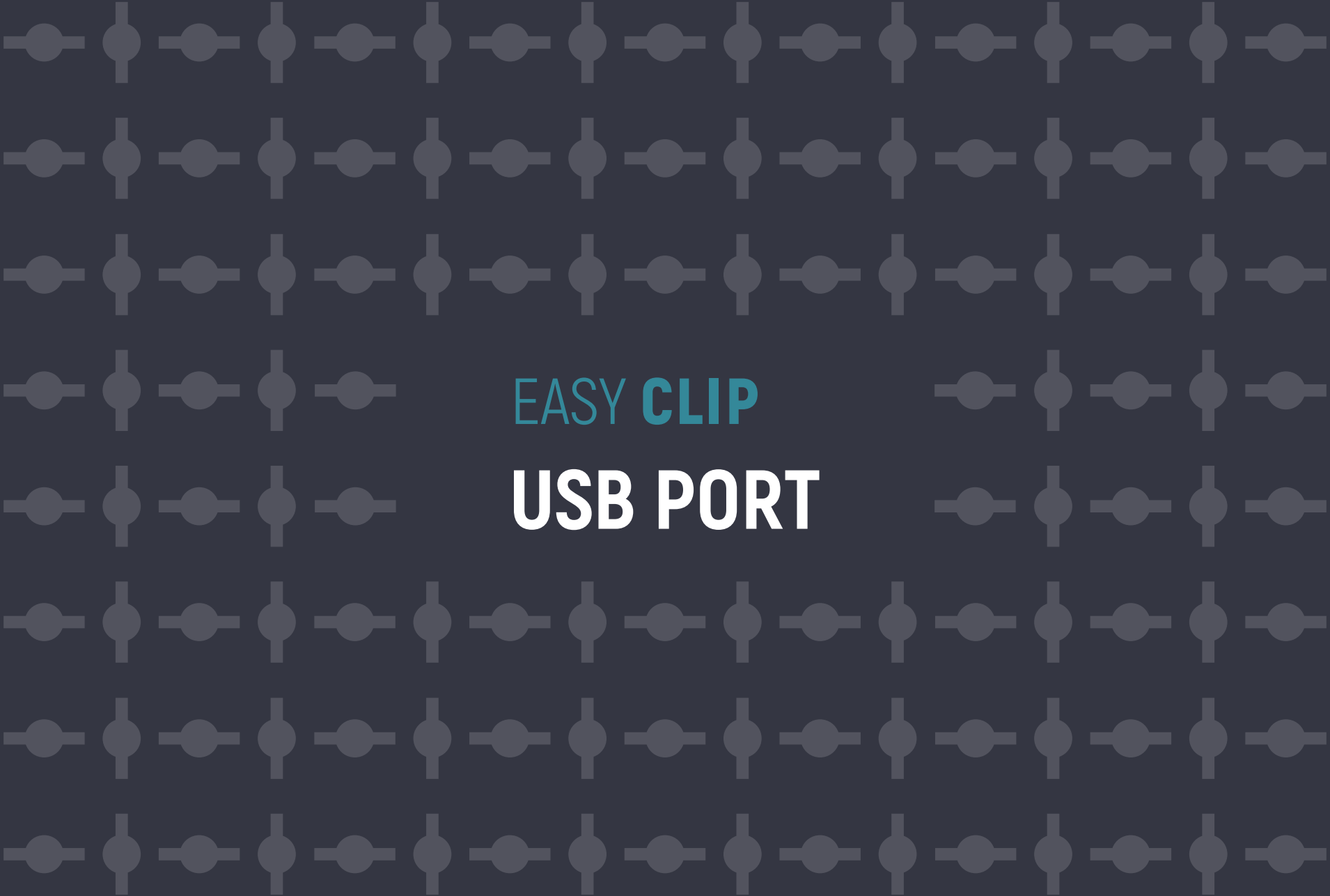
TOP VIEW



ON TOP

BOTTOM VIEW





EASY CLIP

USB PORT



USB PORT

WIRED CHARGE



USB PORT

WIRED CHARGE





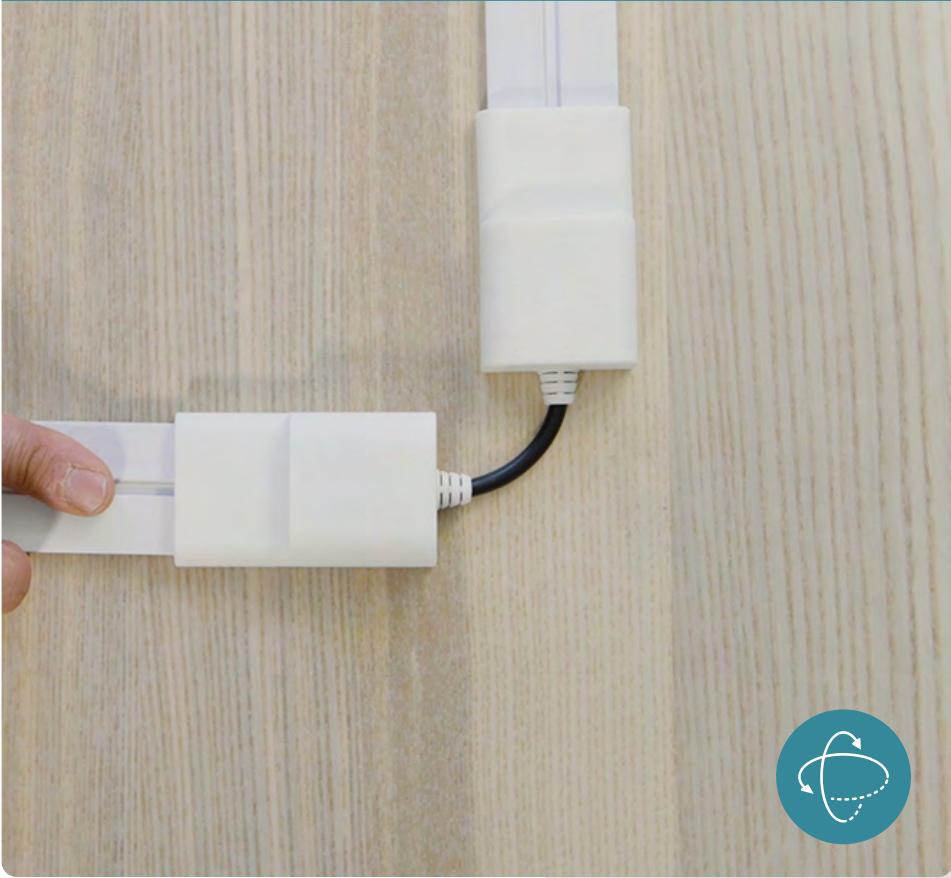
EASY CLIP

ADD-ONS

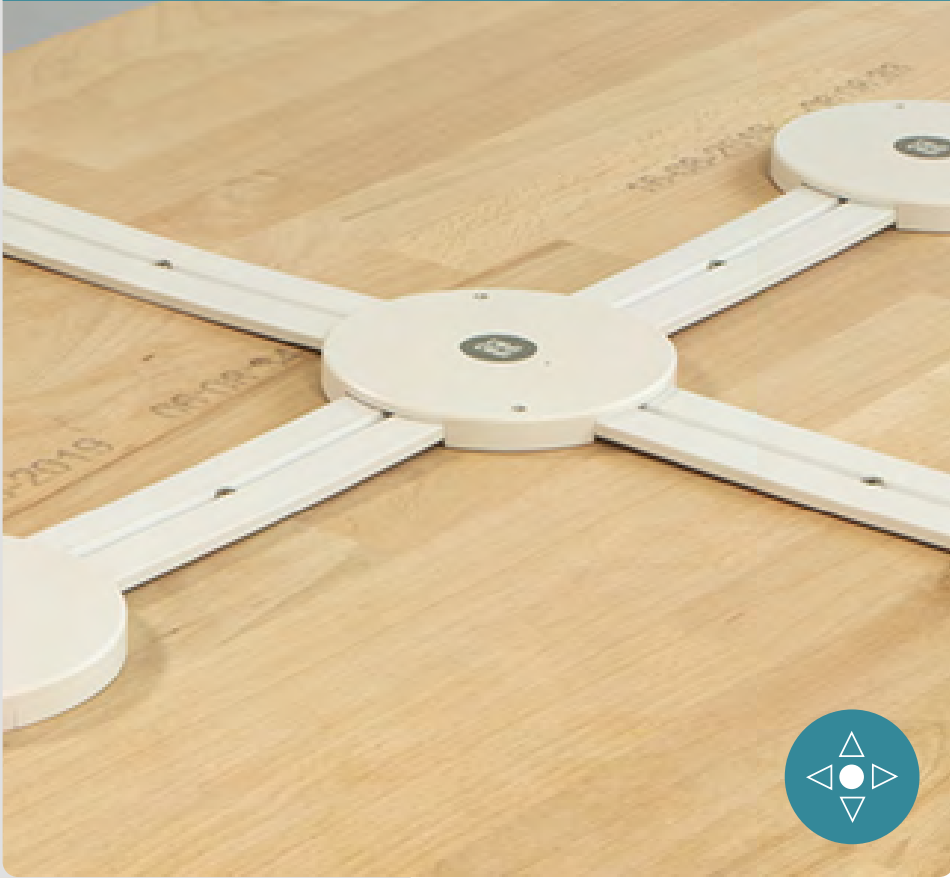
ADD-ONS

THE LEADS

JUMPER



BASIC CROSS





EASY CLIP

POWER SUPPLIES

POWER SUPPLIES

SECTOR or BATTERY

UNIVERSAL WALL PLUG



ACDCs



BATTERY

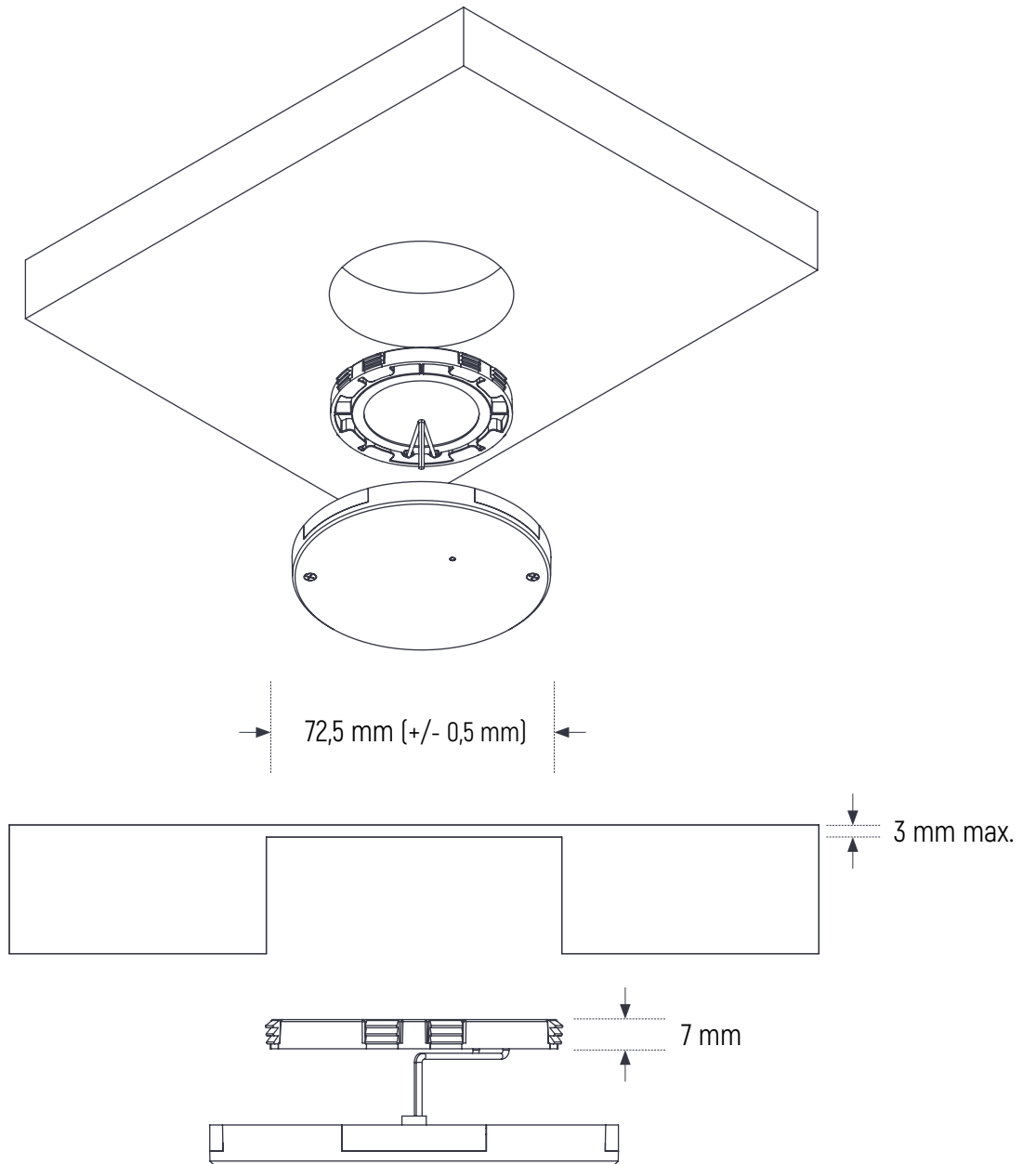




02 | EASY **CLIP**
TECHNICAL DESCRIPTIONS

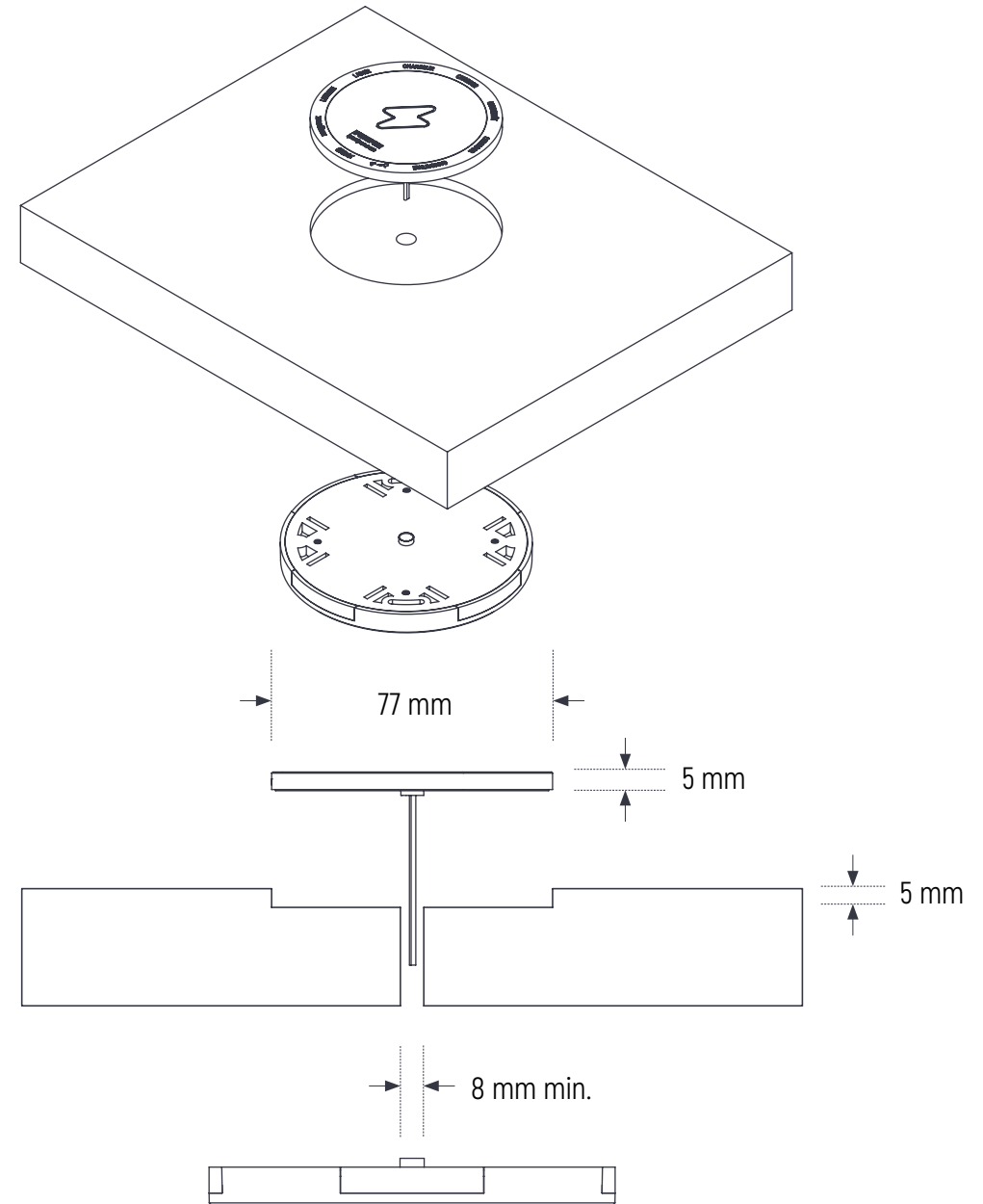
EMBEDDED ANTENNA

INTEGRATION PLAN



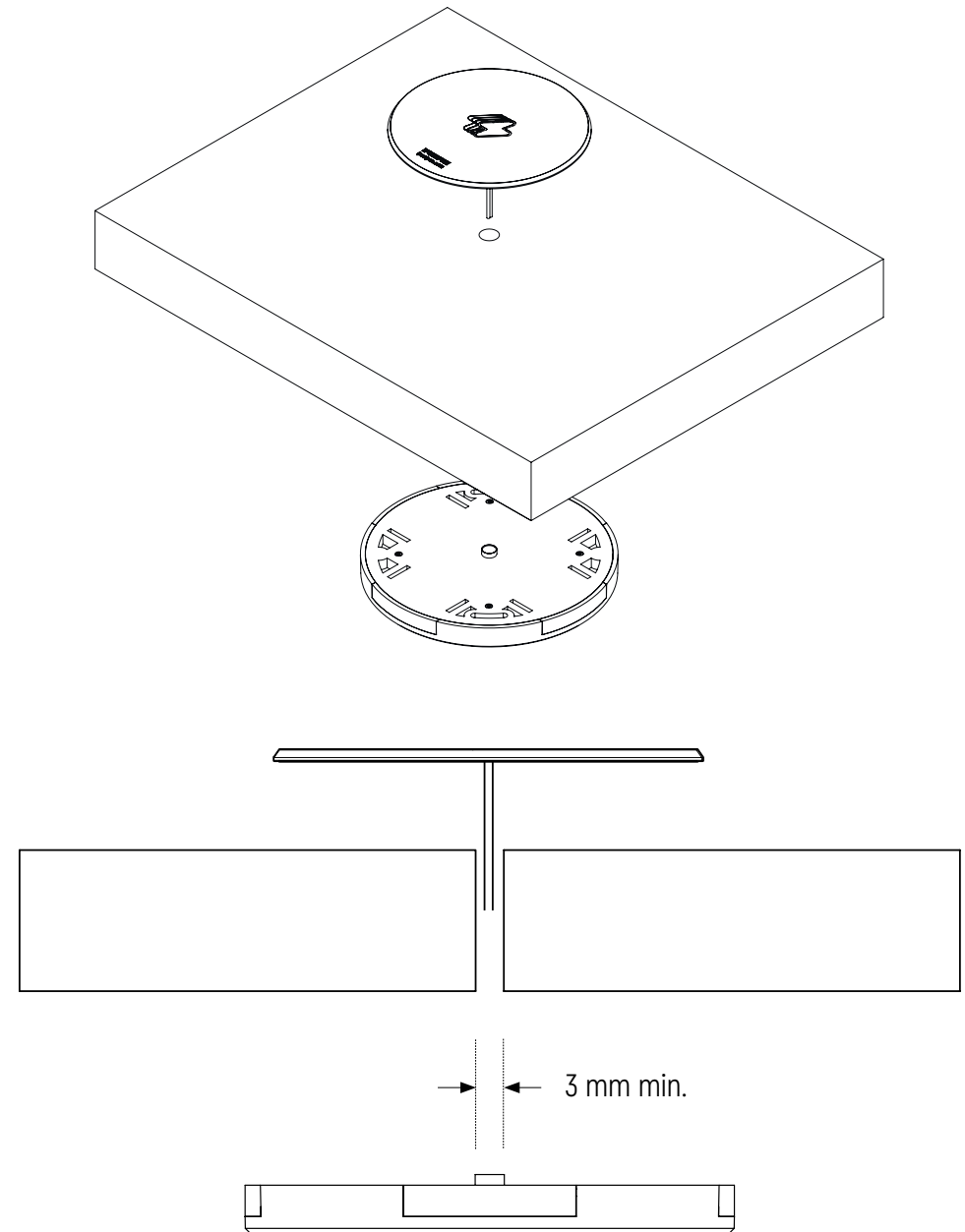
FLAT

INTEGRATION PLAN



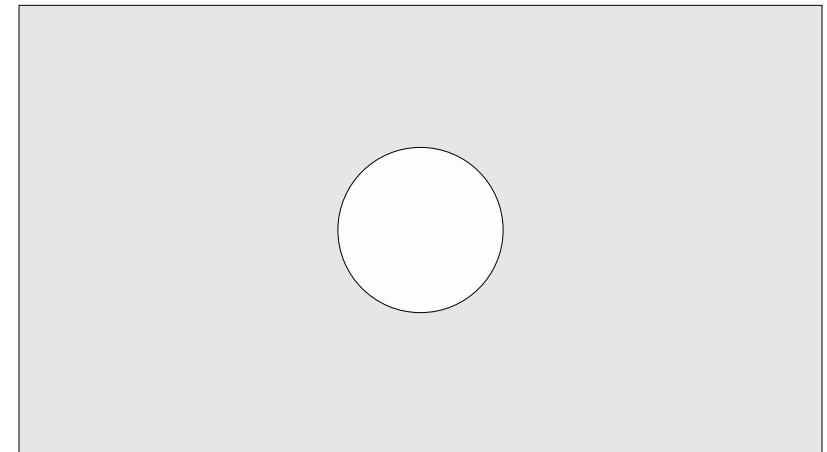
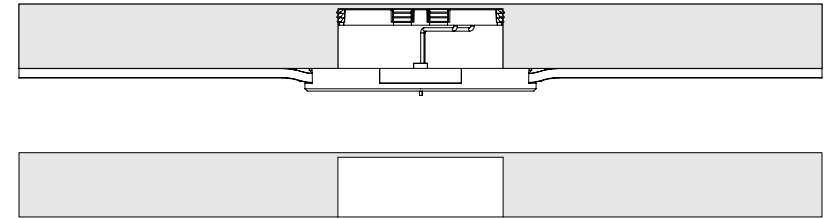
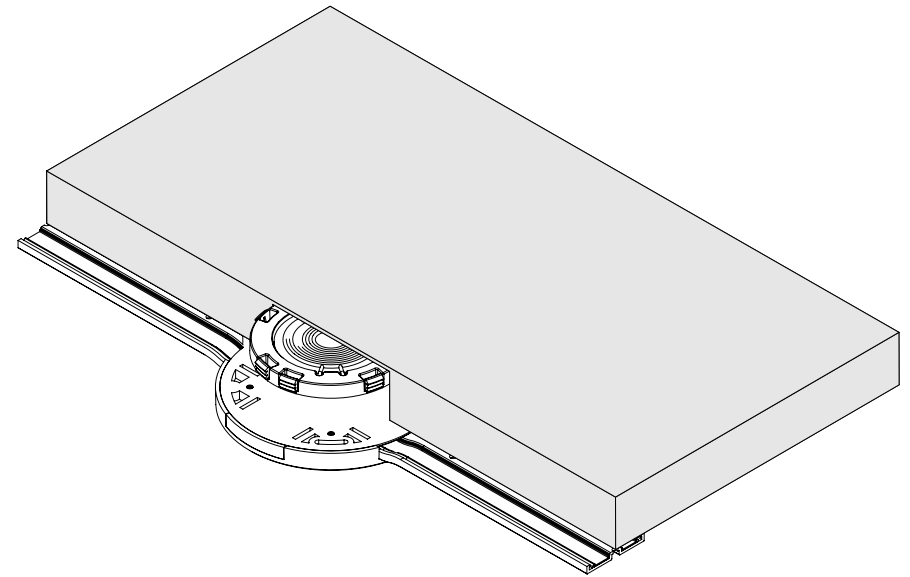
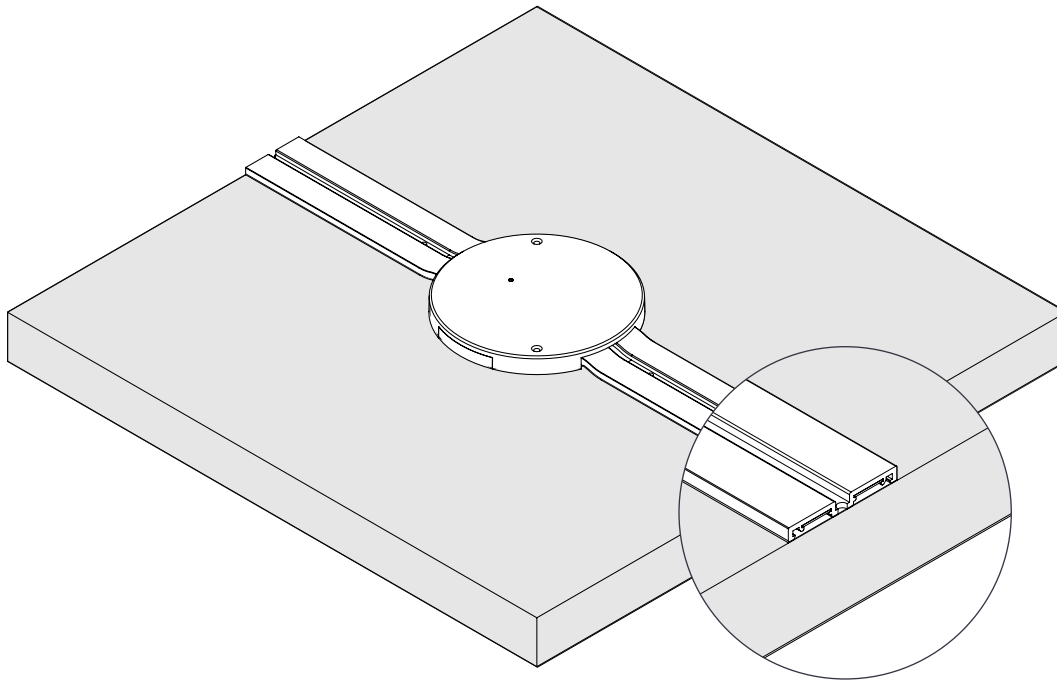
ON TOP ANTENNA

INTEGRATION PLAN



CONNECTION STRIPS & CHARGER

EXTERNAL MOUNTING

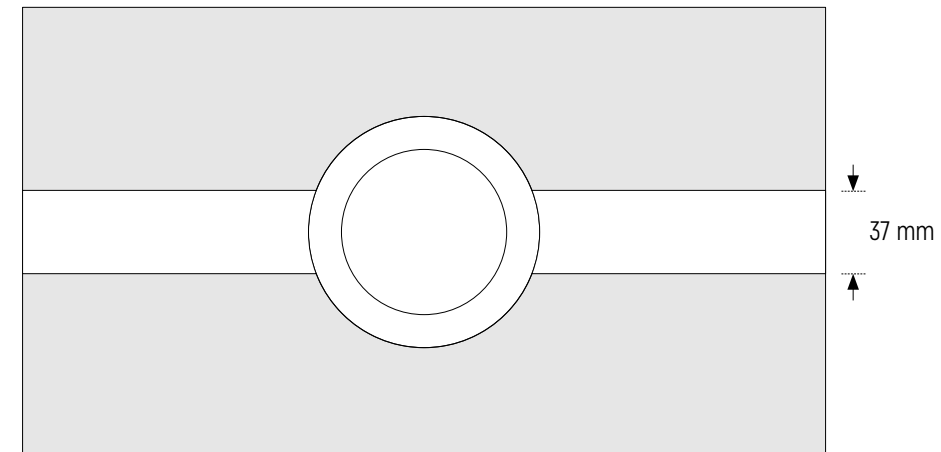
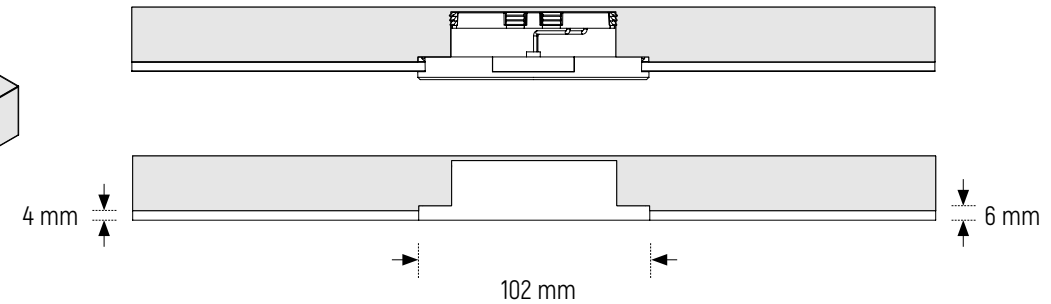
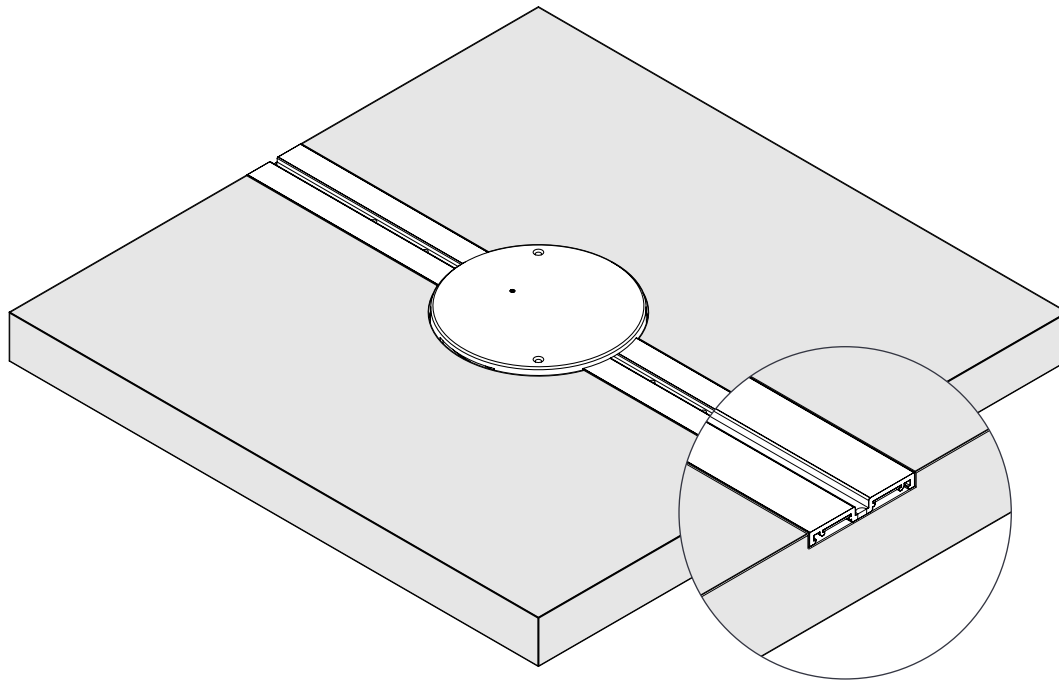
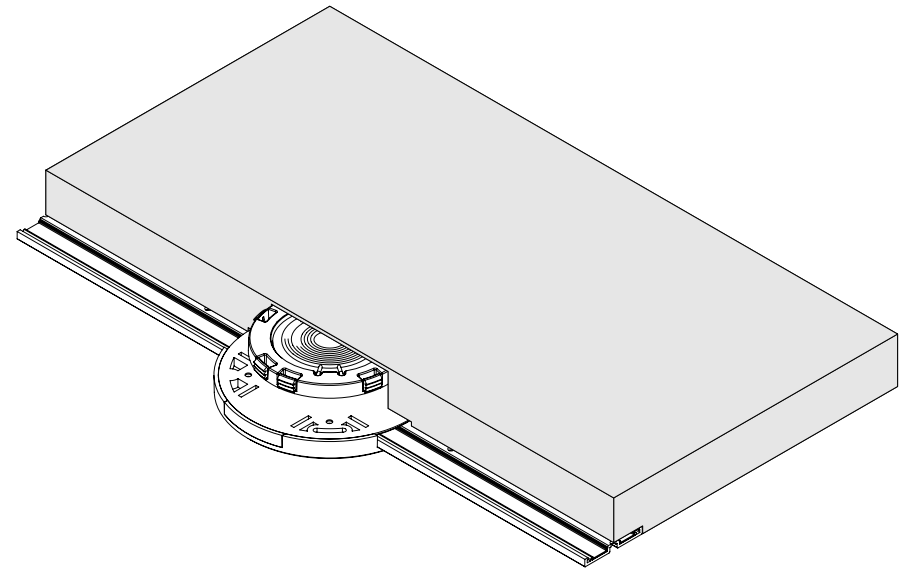


NB: Mounting example with embedded antenna but applicable to all antenna types



CONNECTION STRIPS & CHARGER

INTERNAL MOUNTING



NB: Mounting example with embedded antenna but applicable to all antenna types



TUTORIALS

VIDÉOS



INSTALLING THE EMBEDDED ANTENNA



INSTALLING THE FLAT ANTENNA



INSTALLING THE EASY CLIP CHARGER



CREATE A NETWORK WITH THE CONNECTION STRIPS



ADD A USB PORT



INSTALL A BYPASS



INSTALL A POWER SUPPLY





03 | EASY **CLIP**
CATALOGUE

SINGLE PACK - EMBEDDED

IPN-E2-S-EMB

PRICE : 119€ ex. VAT

DESCRIPTION

This package contains an Easy Clip charger and an Embedded antenna for installing a wireless charging point in furniture. The Embedded antenna fits into a recess to be made under the furniture top. The AC adapter plugs into a wall socket.

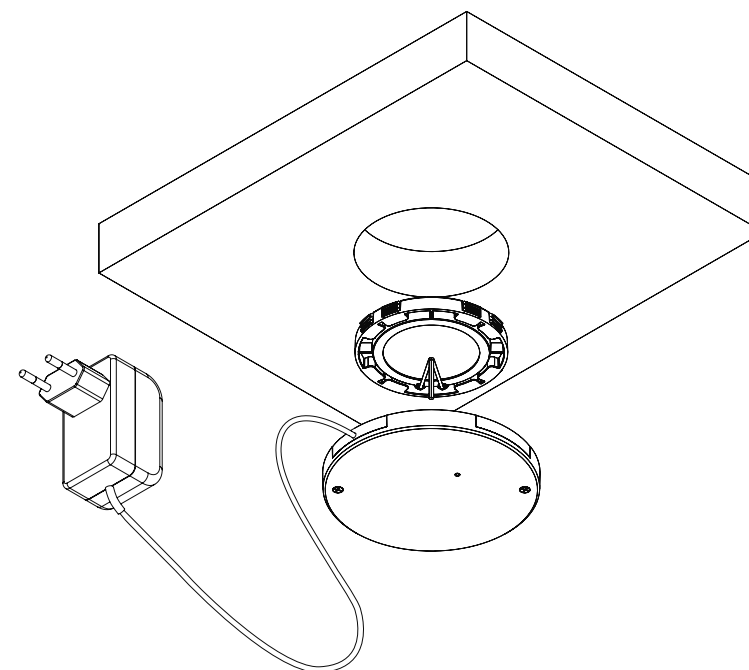
The package contains :

- 1 Embedded Antenna
- 1 wireless charger
- 1 universal wall plug power adapter 20w (EU, UK, US versions)

Designed in France

FCC ID : Pending

CERTIFICATIONS



SINGLE PACK - FLAT

IPN-E2-S-FLT

PRICE : 119€ ex. VAT

DESCRIPTION

This pack contains an Easy Clip charger and a Flat antenna for installing a wireless charging point into furniture. The Flat antenna is recessed into the surface of the top for a completely flat finish. It is waterproof and UV resistant. The AC adapter plugs into a wall socket.

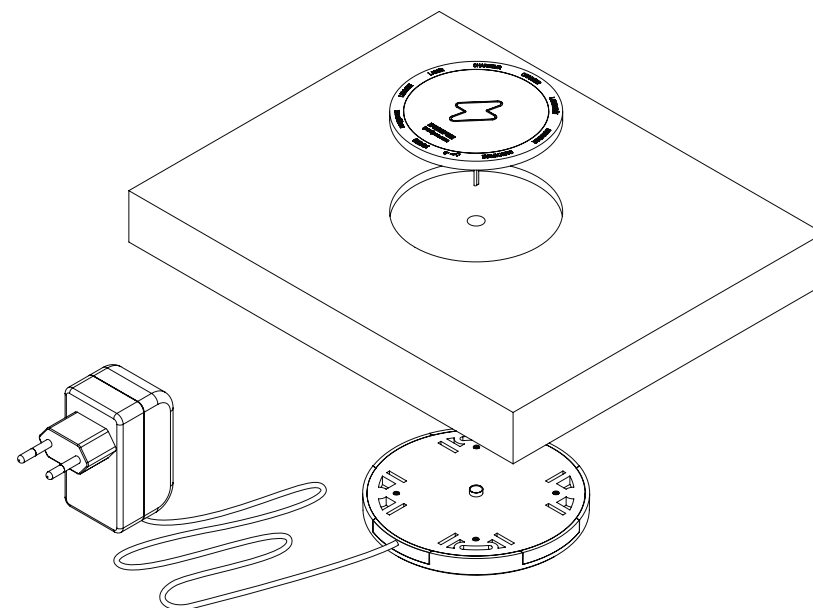
The package contains :

- 1 Flat Antenna
- 1 wireless charger
- 1 universal wall plug power adapter 20w (EU, UK, US versions)

Designed in France

FCC ID : Pending

CERTIFICATIONS



SINGLE PACK - ON TOP

IPN-E2-S-OTP2

PRICE : 119€ ex. VAT

DESCRIPTION

This pack contains an Easy Clip charger and an On Top antenna for installing a wireless charging point in furniture. The On Top antenna is installed in a drill hole. It is waterproof and UV resistant. Its aluminium finish highlights the charging area while combining slimness and robustness. The power adapter plugs into a wall socket.

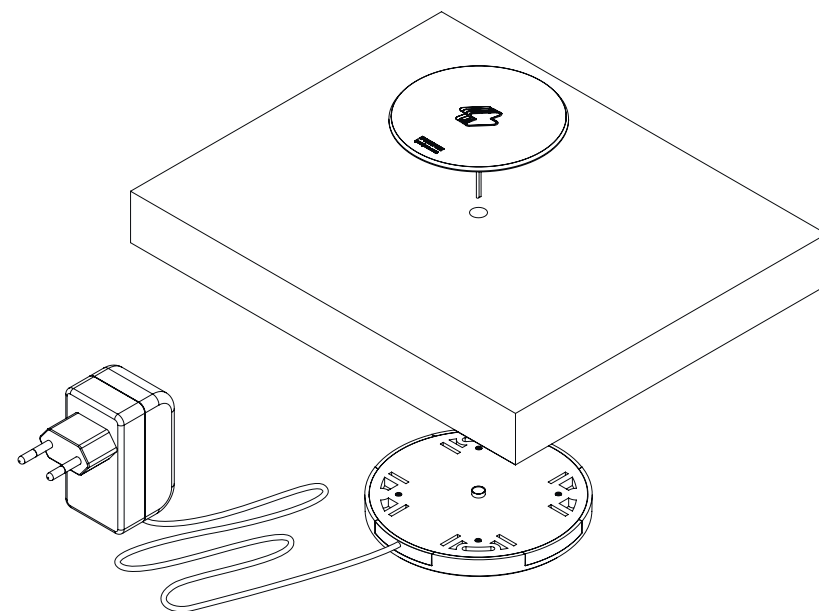
The package contains :

- 1 On top Antenna
- 1 wireless charger
- 1 universal wall plug power adapter 20w (EU, UK, US versions)

Designed in France

FCC ID : Pending

CERTIFICATIONS



EMBEDDED ANTENNA

IPN-E2-COILBOX

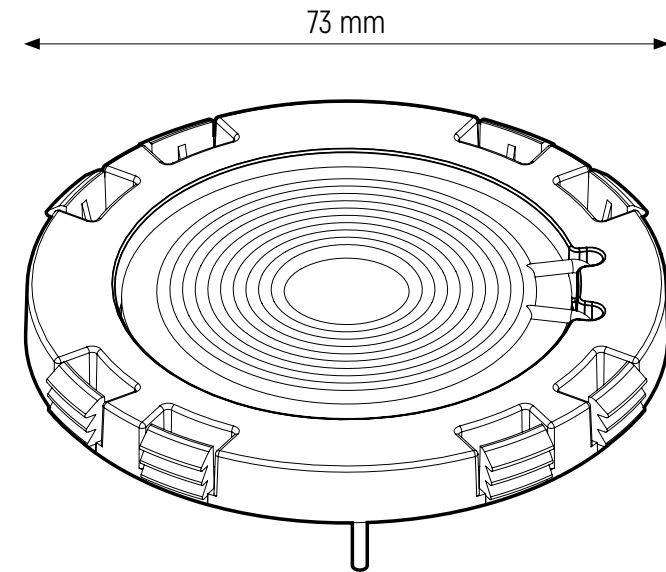
PRICE : **24,90€** ex. VAT

DESCRIPTION

The Embedded antenna is housed in a cavity under the top. It connects to the Easy Clip charger. The furniture retains its original appearance. A marking on the surface of the top is required.

Designed in France

CERTIFICATIONS



FLAT ANTENNA

IPN-E2-MCOIL

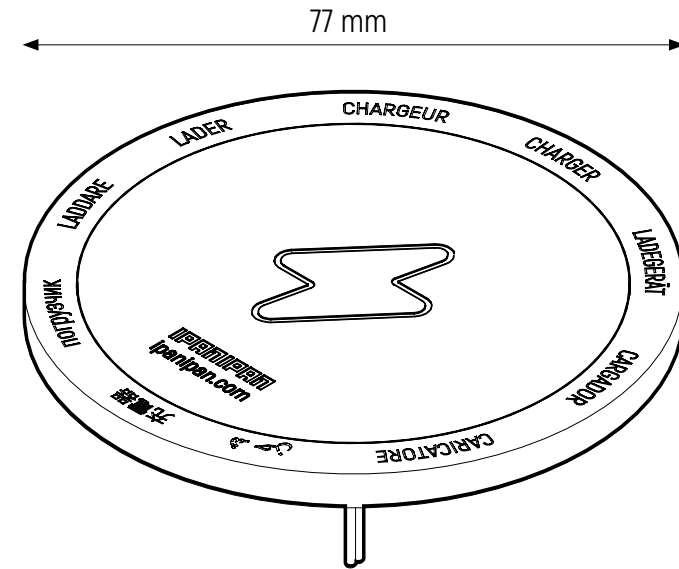
PRICE : **24,90€** ex. VAT

DESCRIPTION

The Flat antenna is recessed into the surface of the top for a completely flat finish. It is waterproof and UV resistant. It connects to the Easy Clip charger.

Designed in France

CERTIFICATIONS



ON TOP ANTENNA

IPN-E2-OTP2

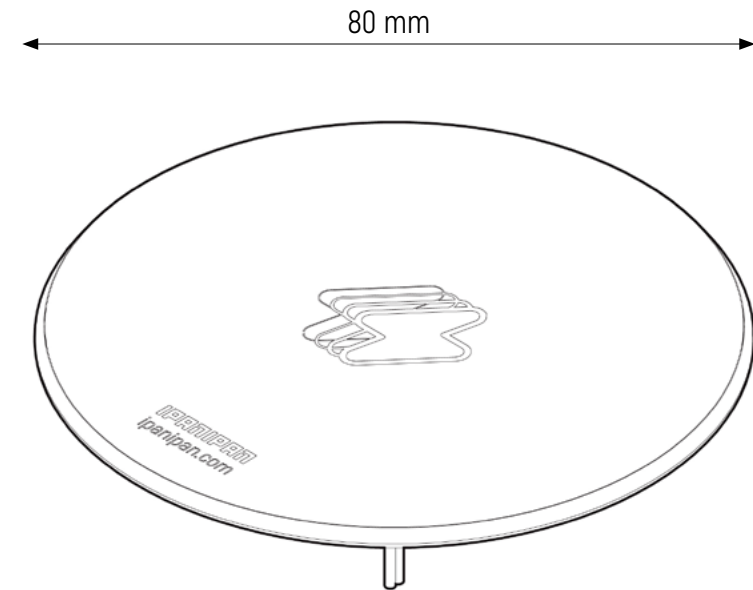
PRICE : **24,90€** ex. VAT

DESCRIPTION

The On Top antenna can be installed in a drill hole. It is waterproof and UV resistant. Its aluminium finish highlights the charging area while combining thinness and robustness. It connects to the Easy Clip charger.

Designed in France

CERTIFICATIONS



WIRELESS CHARGER

IPN-E2-CR

PRICE : 79€ ex. VAT

DESCRIPTION

The charger is the central element of the Easy Clip range. Discreet thanks to its thinness, it is IQ certified and benefits from the EPP (Extended Power Profile) quick charge - 15 Watts. The different models of antennas can be quickly connected to it. It can be used alone or in a network thanks to the connection strips provided in the range. Depending on the number of stations, several types of power supplies are available.

- 10mm thick
- Input : DC12-36V, 1-4A
- Output : 5-15W
- Qi certified
- EPP (Extended Power Profile) - 15 Watts
- Safe : overheating, overcurrents, overvoltages and short circuits.



OVER-CURRENT
PROTECTION



OVER-HEAT
PROTECTION



OVER-VOLTAGE
PROTECTION

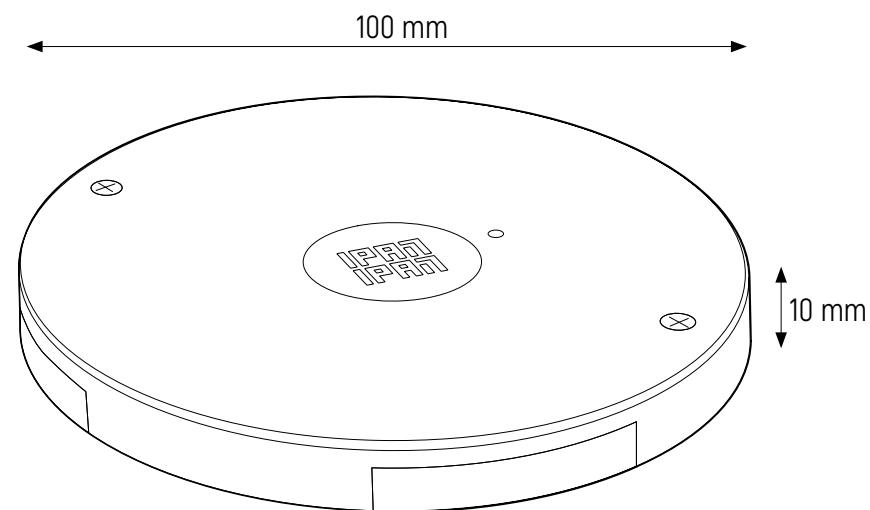


SHORT CIRCUIT
PROTECTION

Designed in France

FCC ID : Pending

CERTIFICATIONS



POWER STRIP

IPN-E2-STRIP

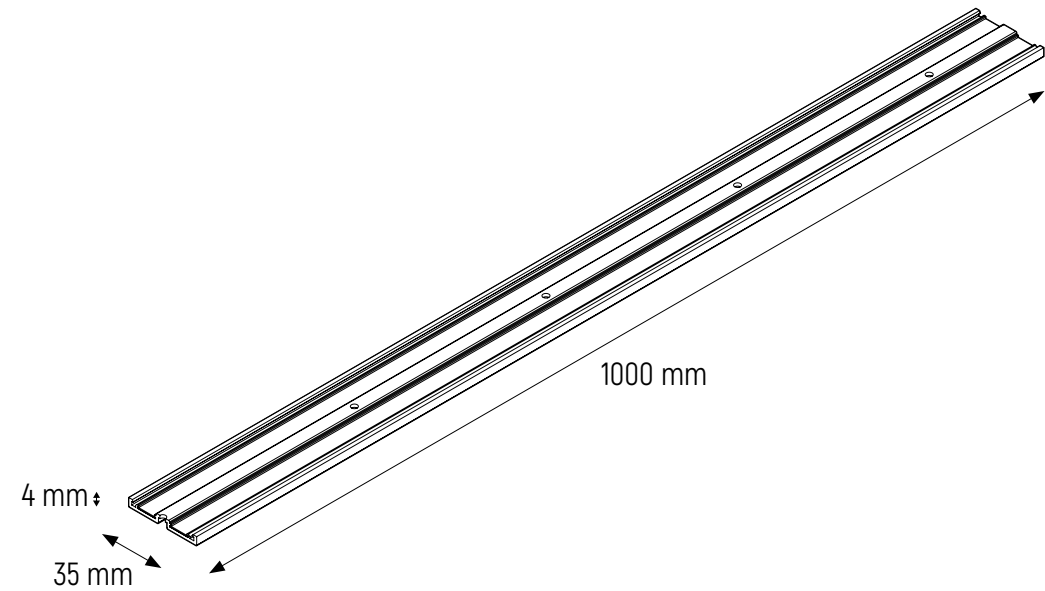
PRICE : 7,90€ ex. VAT

DESCRIPTION

The connection strips (Power Strip) allow chargers to be connected to each other. Simply cut them to the desired length and clip them onto the chargers. They replace the use of cables and are fixed underneath the furniture with screws. Their thinness (4mm) makes them discreet, so they avoid any formwork under the furniture.

Designed in France

CERTIFICATIONS



USB SLOT - 5V/2A

IPN-E2-USB

PRICE : 49€ ex. VAT

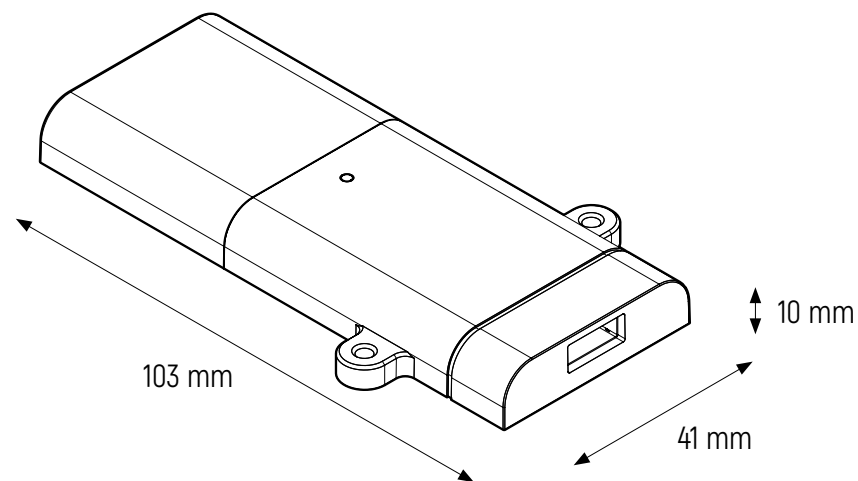
DESCRIPTION

The USB ports benefit from fast charging (10W). They are fixed under the furniture fields and are connected using the connection strips.

- 10mm thick
- Input : DC12-36V, 1-4A
- Output : 10W

Designed in France
FCC ID : Pending

CERTIFICATIONS



METAL STICKER

IPN-INT-EMB-MS

PRICE : 9€ ex. VAT

DESCRIPTION

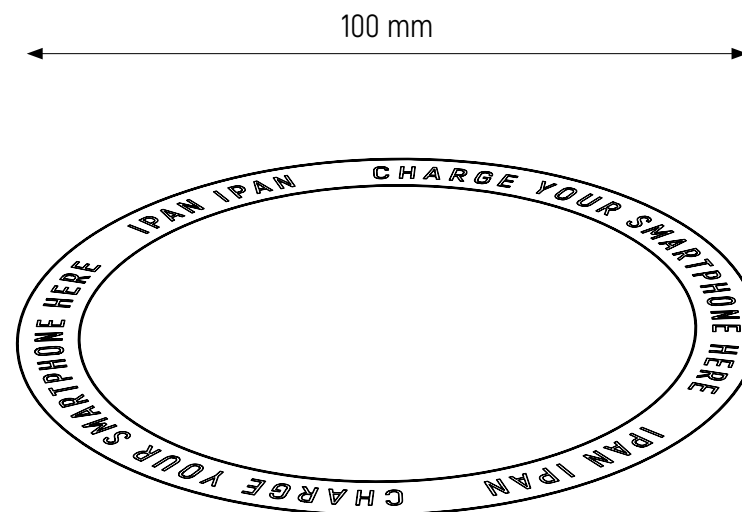
The Metal sticker is used to mark the charging area of a top equipped with the Embedded antenna. It is larger than the antenna to avoid any problem of metallic interference with the charging station. It is laser marked and made of aluminium to avoid corrosion problems.

Its thickness is only 0.2mm to make it imperceptible to the touch. It is equipped with an ultra-powerful sticker that allows it to be used both indoors and outdoors.

NB: The marking of the Metal sticker is customisable on MOQ.

Designed in France

CERTIFICATIONS



JUMPER

IPN-E2-JPR

PRICE : 29€ ex. VAT

DESCRIPTION

The jumper allows a connection strip to be connected to a cable with a diameter between 2 and 8 mm. It can be used in special cases such as:

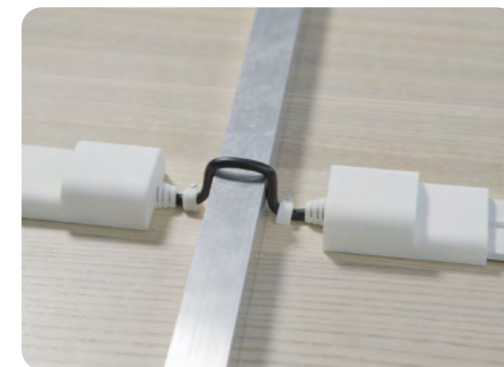
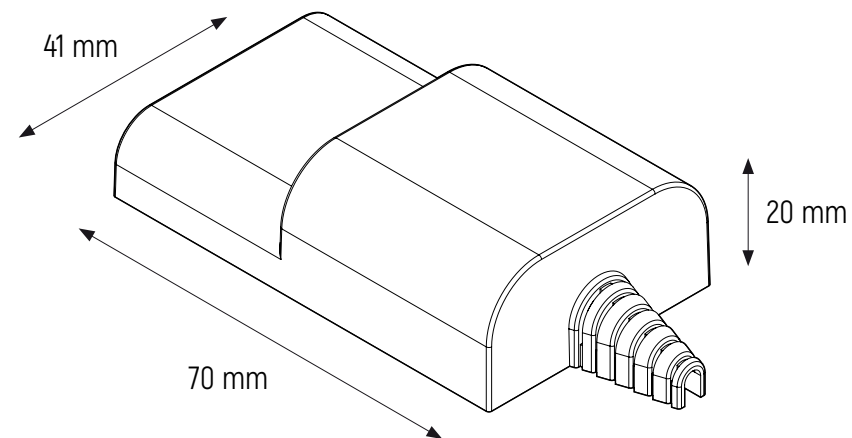
- › Passing over a reinforcement bar
- › Passing through a jamb
- › Creating a 45° connection between two stations.

• Input : DC12-36V, 1-4A

Designed in France

FCC ID : Pending

CERTIFICATIONS



BASIC-CROSS

IPN-E2-BCR

PRICE : 29€ ex. VAT

DESCRIPTION

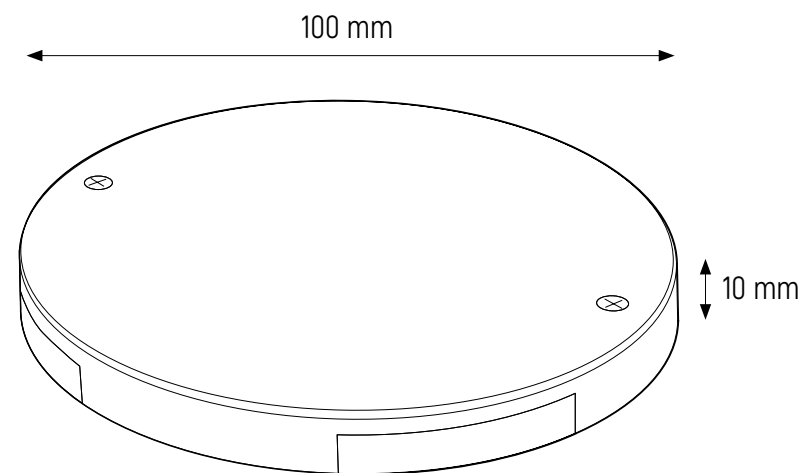
The Basic Cross is a junction box consisting of 4 inputs/outputs.

• Input : DC12-36V, 1-4A

Designed in France

FCC ID : Pending

CERTIFICATIONS



UNIVERSAL WALL PLUG 20W

IPN-E2-PWR-EU-WALLPLUG

IPN-E2-PWR-UK-WALLPLUG

IPN-E2-PWR-US-WALLPLUG

PRICE : **39€** ex. VAT

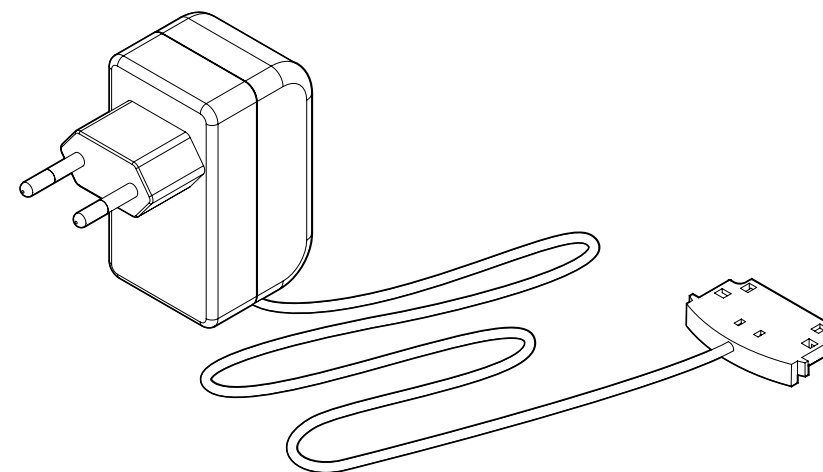
DESCRIPTION

This Power Supply is a wall-mounted AC adapter that allows you to power **1 to 2 wireless or usb load points**.

- Cable : 1,2m
- Input : AC 100~240V - 50~60Hz
- Output : DC 15V - 1A - 15W
- Adapter included : EU, UK, US

Designed in France

CERTIFICATIONS



AC/DC 24W

IPN-E2-PWR-EU-1224

IPN-E2-PWR-UK-1224

IPN-E2-PWR-US-1224

PRICE : **39€** ex. VAT

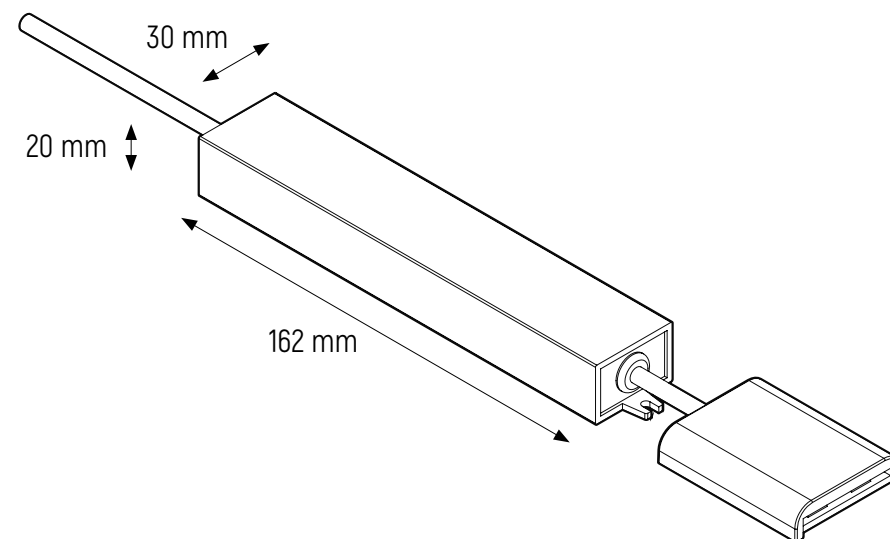
DESCRIPTION

This Power Supply is fixed under the furniture and allows to power **1 to 2 charging points wirelessly or USB**. It is waterproof (IP 67) and has a reinforced aluminium casing.

- Cable : 1,2m
- Waterproof (IP67)
- Input : AC 85~265V - 50~60Hz
- Output : DC 12V - 2A - 24W

Designed in France

CERTIFICATIONS



AC/DC 50W

IPN-E2-PWR-EU-1250

IPN-E2-PWR-UK-1250

IPN-E2-PWR-US-1250

PRICE : **49€** ex. VAT

DESCRIPTION

This Power Supply is fixed under the furniture and allows power from **2 to 5 charging points wirelessly or USB**. It is waterproof (IP 67) and has a reinforced aluminium casing.

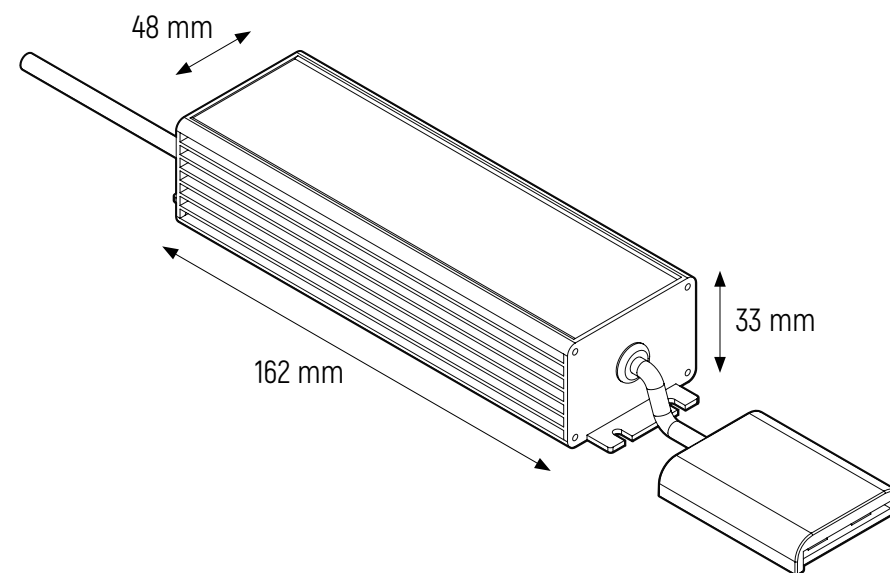
- Cable : 1,2m
- Waterproof (IP67)
- Input : AC 100~265V - 50~60Hz
- Output : DC 12V - 5A - 60W

Designed in France

CERTIFICATIONS



CE SELV IP67



AC/DC 100W

IPN-E2-PWR-EU-24100

IPN-E2-PWR-UK-24100

IPN-E2-PWR-US-24100

PRICE : **79€** ex. VAT

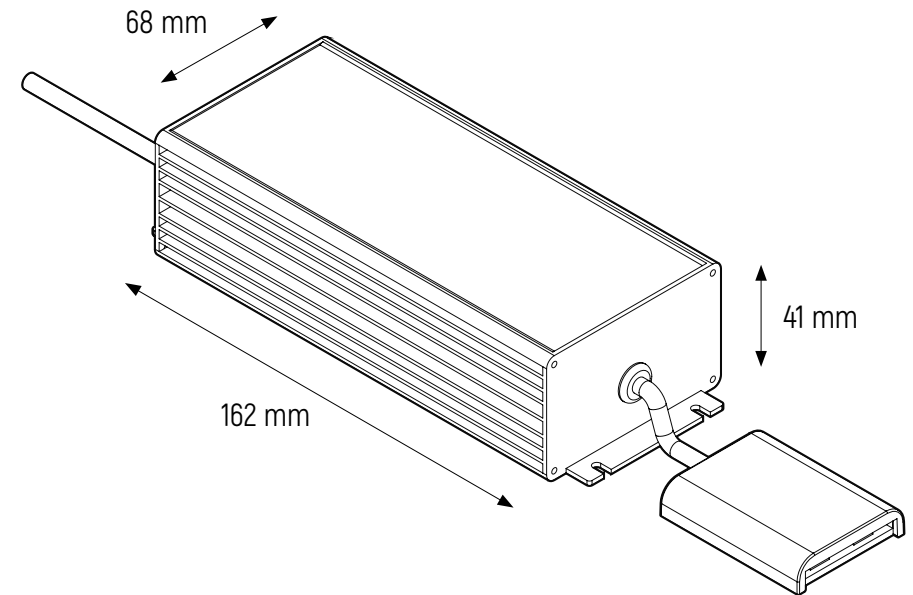
DESCRIPTION

This Power Supply is fixed under the furniture and allows power **5 to 10 charging points wirelessly or USB**. It is waterproof (IP 67) and has a reinforced aluminium casing.

- Cable : 1,2m
- Waterproof (IP67)
- Input : AC 90-265 - 50~60Hz
- Output : DC 24V - 4.2A - 100W

Designed in France

CERTIFICATIONS



BATTERY 750Wh

IPN-E2-PWR-BAT-36720

PRICE : 499€ ex. VAT

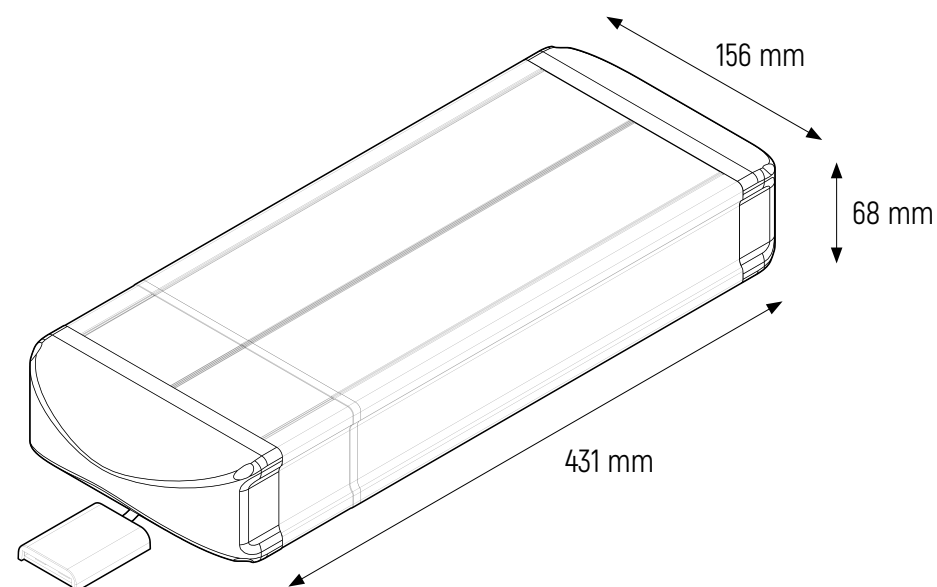
DESCRIPTION

This removable and secure battery is fixed under the furniture and can power up to **10 wireless or USB charging points**. Delivered with its charger, it facilitates installations when electrical connection is impossible. It has a reinforced water resistant aluminium casing.

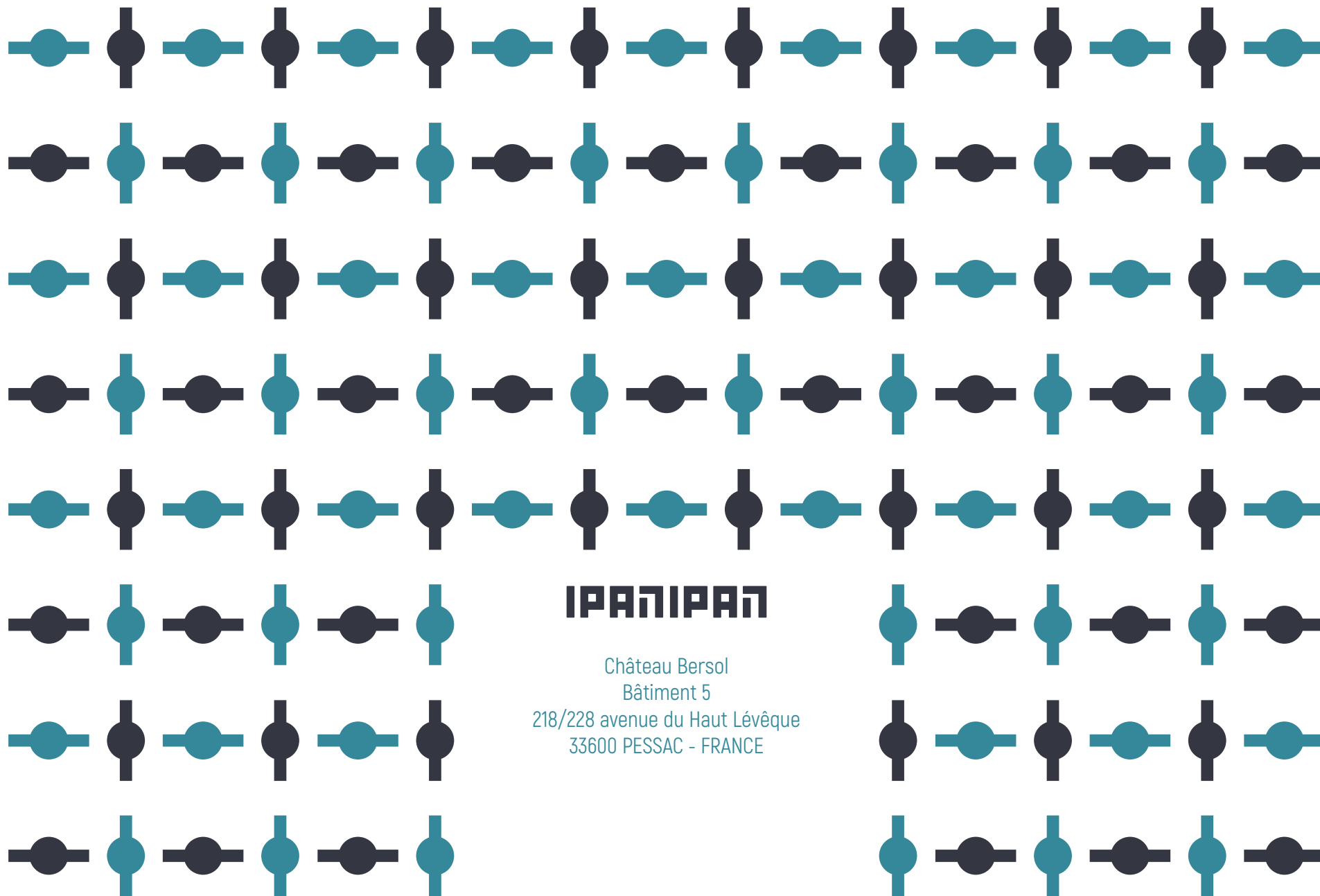
- Capacity : 17,5Ah
- Output : 36V - 20A max.

Designed in France

CERTIFICATIONS







IPANIPAN

Château Bersol
Bâtiment 5
218/228 avenue du Haut Lévêque
33600 PESSAC - FRANCE